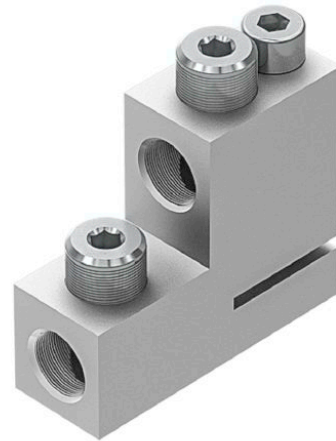


# 2DIREKT S Two Wire Transformer Terminal Clamp



Picture may vary.

## Technical Data

<b>Article no.</b>		<b>331 756 001</b>
<b>Number of conductor</b>		2
<b>Connection possibility</b>		horizontal, vertical
<b>Conductor Cross Sections</b>	(mm <sup>2</sup> )	16 - 95
<b>Conductor type</b>		round stranded flexible, round stranded, sector shaped stranded
<b>Bolted connection</b>	(mm)	M12
<b>Max. apparent power at 0,4 kV</b>	(kVA)	160
<b>Maximum current</b>	(A)	250
<b>Earthing possibility</b>		yes
<b>min. distance between termination</b>	(mm)	58

## Dimensions

<b>Width</b>	(mm)	24
<b>Height</b>	(mm)	68
<b>Depth</b>	(mm)	68