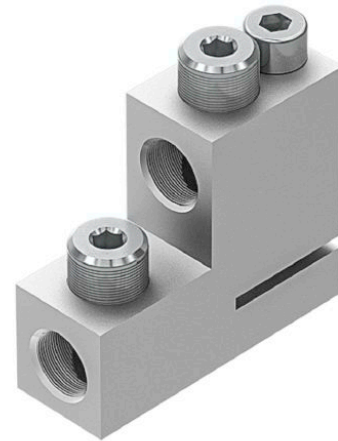


2DIREKT S Two Wire Transformer Terminal Clamp



Picture may vary.

Technical Data

Article no.		331 756 002
Number of conductor		2
Connection possibility		horizontal, vertical
Conductor Cross Sections	(mm ²)	16 - 95
Conductor type		round stranded flexible, round stranded, sector shaped stranded
Bolted connection	(mm)	M16
Maximum current	(A)	400
Earthing possibility		yes
min. distance between termination	(mm)	58

Dimensions

Width	(mm)	24
Height	(mm)	68
Depth	(mm)	68