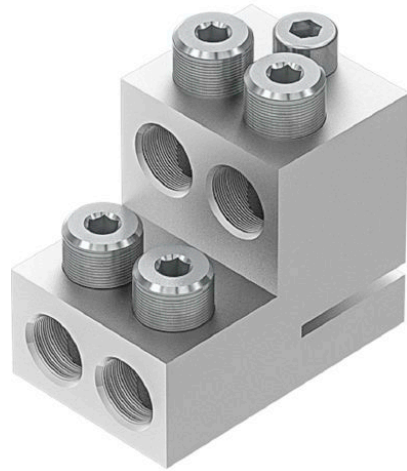


# 2DIREKT S Four Wire Transformer Terminal Clamp



*Picture may vary.*

## Technical Data

<b>Article no.</b>		<b>331 756 010</b>
<b>Number of conductor</b>		<b>4</b>
<b>Connection possibility</b>		<b>horizontal, vertical</b>
<b>Conductor Cross Sections</b>	<b>(mm<sup>2</sup>)</b>	<b>16 - 95</b>
<b>Conductor type</b>		<b>round stranded flexible, round stranded, sector shaped stranded</b>
<b>Bolted connection</b>	<b>(mm)</b>	<b>M12</b>
<b>Max. apparent power at 0,4 kV</b>	<b>(kVA)</b>	<b>160</b>
<b>Maximum current</b>	<b>(A)</b>	<b>250</b>
<b>Earthing possibility</b>		<b>yes</b>
<b>min. distance between termination</b>	<b>(mm)</b>	<b>72</b>

## Dimensions

<b>Width</b>	<b>(mm)</b>	<b>44</b>
<b>Height</b>	<b>(mm)</b>	<b>68</b>
<b>Depth</b>	<b>(mm)</b>	<b>68</b>