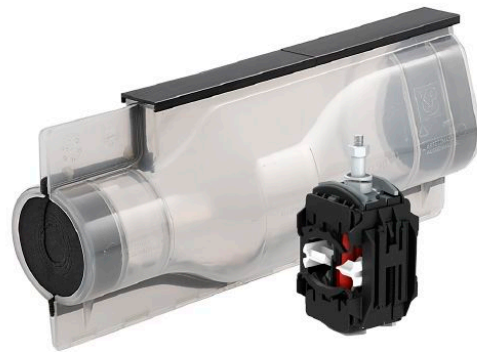


1 kV cast resin joint set 140/420N for 4 wire cable including ISICOMPACT tap connector 331 896 003

*At 150 mm² round stranded main cables only 6 - 25 mm² solid sector-shaped / stranded sector-shaped, 6 - 35 mm² round stranded and 6 - 50 mm² round solid tap cables are possible.



Picture may vary.

Technical Data

Article no.		332 407 124
Main cable diameter max.	(mm)	60
Number of wires main cable		4
Conductor cross section Al solid circular	(mm ²)	70 - 150
Conductor cross section Cu solid circular	(mm ²)	70 - 150
Conductor cross section Al stranded circular	(mm ²)	70 - 150*
Conductor cross section Cu stranded circular	(mm ²)	70 - 150*
Conductor cross section Al solid sector-shaped	(mm ²)	70 - 185
Conductor cross section Al stranded sector-shaped	(mm ²)	70 - 150
Conductor cross section Cu stranded sector-shaped	(mm ²)	50 - 150
Branch cable diameter	(mm)	45
Cross section of tap conductor	(mm ²)	6 - 50 + 70SE*
Suitable for cable types		N(A)2XY, N(A)2X2Y, N(A)YY, N(A)Y2Y
Compact tap connector		331896003
Joint model		140/420N
Shell material		Polycarbonate
Cast resin type		KP-PUR 2000

Article no.	332 407 124
Cast resin container	Tins
Cast resin volume	(l) 3,9

Dimensions

Joint body diameter	(mm) 140
External length	(mm) 420
Internal length	(mm) 350