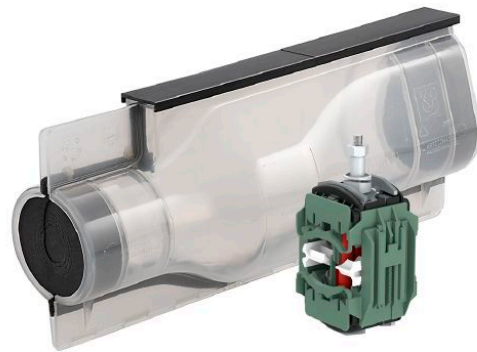


# 1 kV cast resin joint set 140/420N for 4 wire cable including ISICOMPACT tap connector 331 896 004



Picture may vary.

## Technical Data

<b>Article no.</b>		<b>332 407 125</b>
<b>Main cable diameter max.</b>	(mm)	60
<b>Number of wires main cable</b>		4
<b>Conductor cross section Al solid sector-shaped</b>	(mm <sup>2</sup> )	70 - 185
<b>Conductor cross section Al stranded sector-shaped</b>	(mm <sup>2</sup> )	70 - 150
<b>Conductor cross section Cu stranded sector-shaped</b>	(mm <sup>2</sup> )	70 - 150
<b>Branch cable diameter</b>	(mm)	45
<b>Cross section of tap conductor</b>	(mm <sup>2</sup> )	6 - 50 + 70SE
<b>Suitable for cable types</b>		NA2XY, N(A)YY
<b>Compact tap connector</b>		331896004
<b>Joint model</b>		140/420N
<b>Shell material</b>		Polycarbonate
<b>Cast resin type</b>		KP-PUR 2000
<b>Cast resin container</b>		Mixing bags
<b>Cast resin volume</b>	(l)	3,9

## Dimensions

Joint body diameter	(mm)	140
External length	(mm)	420
Internal length	(mm)	350