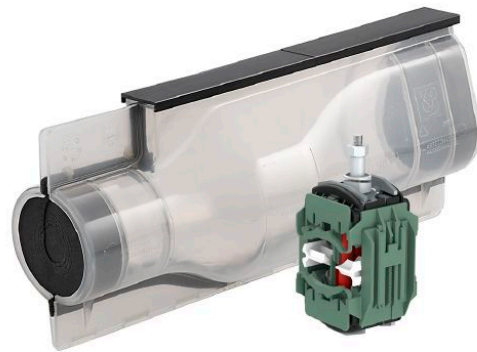


1 kV cast resin joint set 140/420N for 4 wire cable including ISICOMPACT tap connector 331 896 004



Picture may vary.

Technical Data

| | | |
|--|--------------------|--------------------|
| Article no. | | 332 407 126 |
| Main cable diameter max. | (mm) | 60 |
| Number of wires main cable | | 4 |
| Conductor cross section Al solid sector-shaped | (mm ²) | 70 - 185 |
| Conductor cross section Al stranded sector-shaped | (mm ²) | 70 - 150 |
| Conductor cross section Cu stranded sector-shaped | (mm ²) | 70 - 150 |
| Branch cable diameter | (mm) | 45 |
| Cross section of tap conductor | (mm ²) | 6 - 50 + 70SE |
| Suitable for cable types | | NA2XY, N(A)YY |
| Compact tap connector | | 331896004 |
| Joint model | | 140/420N |
| Shell material | | Polycarbonate |
| Cast resin type | | KP-PUR 2000 |
| Cast resin container | | Tins |
| Cast resin volume | (l) | 3,9 |

Dimensions

| | | |
|---------------------|------|-----|
| Joint body diameter | (mm) | 140 |
| External length | (mm) | 420 |
| Internal length | (mm) | 350 |