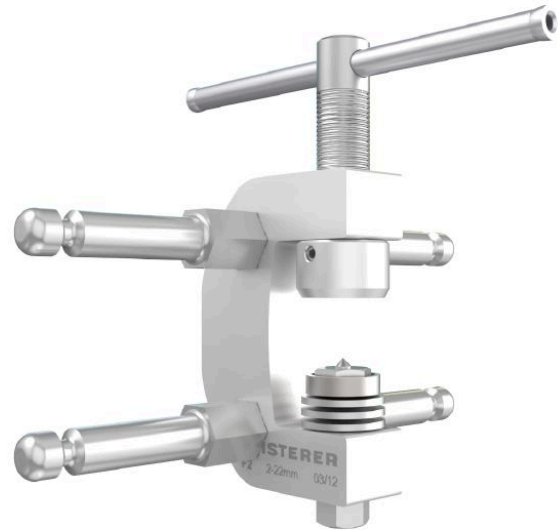


Penetrating Earth Clamp F2-B

PFISTERER offers a comprehensive range of earth connection clamps for earthing and short-circuiting devices. In different versions, these earth connection clamps are designed for various earth connection variants outdoors and in indoor installations.

Technical description:

- Compact and robust design
- Easy handling
- Bundle conductor for a maximum of 4 earth connection sockets A1



Picture may vary.

Technical Data

Article no.	360 628 004	
Area of application	Switchgear, Overhead Line	
Max. cross section of connected cable	(mm ²)	120
Max. short-circuit current	I _k 1 s (A)	23700
for flat conductors	(mm)	2 - 22
Clamping range	(mm)	2 - 22
Weight	(g)	1826