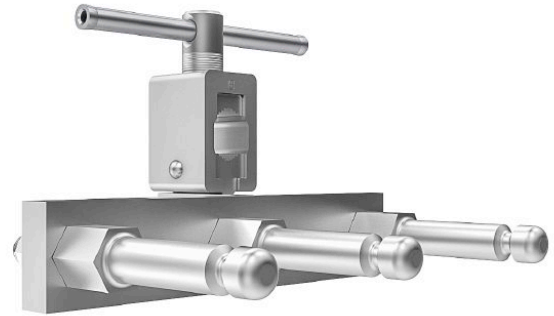


Multi-contact connection device A2

with earth terminal socket A1 and three cylindrical earthing bolts with annular groove.

The triple earth connection serves to earth and short circuit three single-pole earthing and short-circuiting cables.

Short-circuiting bar and connecting angle of Cu/Sn, 40 x 8 mm. Total length 195 mm.



Picture may vary.

Technical Data

Article no.	364 899 001	
Area of application	Switchgear, Overhead Line	
Max. cross section of connected cable	(mm ²)	150
Max. short-circuit current	I _k 1 s (A)	29600
Short-circuiting bar	L x B (mm)	195 x 40
Short-circuiting bar thickness	(mm)	8