

Cable Support for Connection Joints Size 4 up to 7-S

Characteristics:

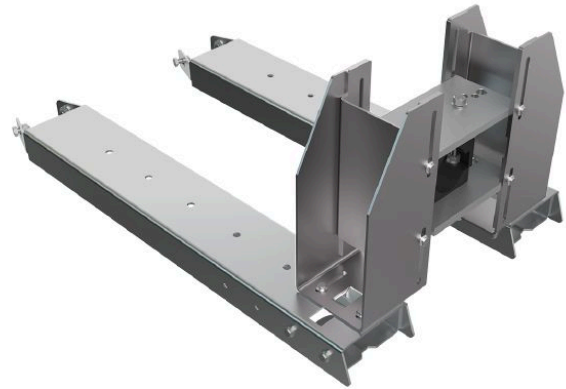
- Allows centric guidance and fixation of the cable
- Absorbs transverse forces in continuous operation, during tests and in the event of a short circuit
- Cable clamp set to be ordered separately to match the outer diameter of the cable
- Requires mounting brackets on the joint

Scope of delivery:

- Cable support for one side of the joint

Suitable for following joints:

- CONNEX Joints Size 4, 5-S, 6, 6-S, 7, 7-S



Picture may vary.

Technical Data

Article no.	564 943 003
Type	Cable support