

## Cable Support for Elbow Joints Size 5-S bis 6-S

### Characteristics:

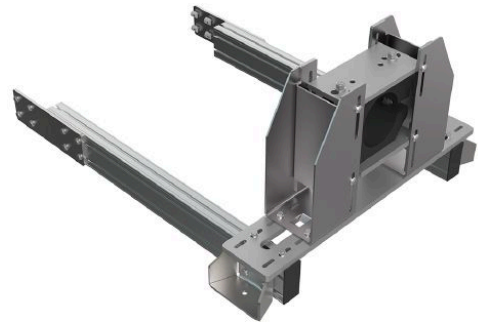
- Allows centric guidance and fixation of the cable
- Absorbs transverse forces in continuous operation, during tests and in the event of a short circuit
- Cable clamp set to be ordered separately to match the outer diameter of the cable
- Requires mounting brackets on the joint

### Scope of delivery:

- Cable support for one side of the joint

### Suitable for following joints:

- CONNEX Elbow Joints Size 5-S, 6, 6-S



*Picture may vary.*

## Technical Data

<b>Article no.</b>	<b>564 943 004</b>
<b>Type</b>	<b>Cable support</b>