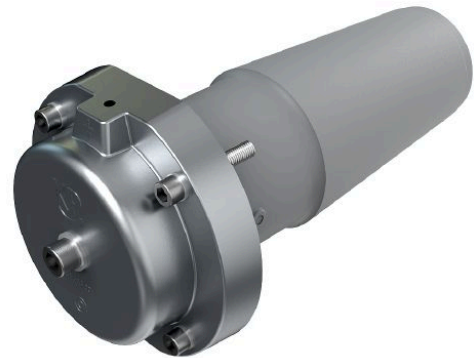


CONNEX Dummy Plug Size, 5-S

For sealing and voltage-proof closing of CONNEX sockets size 5-S.

Suitable and approved for continuous operation and voltage tests.



Picture may vary.

Technical Data

Article no.	827 701 002	
Size	5-S	
Applicable standards	IEC 60840, IEC 60137	
Working place	indoor, outdoor and offshore	
Environment temperature	(°C)	-25°C up to 50°C
Highest voltage	U_m (kV)	145
Nominal voltage	U_n (kV)	132 - 138
Rated design voltage to ground	U₀ (kV)	76
AC withstand voltage	1 min (kV)	305
Lightning impulse withstand voltage	(kV)	650
Partial discharge test < 5pc at	(kV)	114
AC withstand voltage	10 min (kV)	305
Partial discharge test < 2pC at	(kV)	275

Dimensions

Length outside socket	(mm)	76
Pitch circle diameter	(mm)	188
Connection thread	1 x M10	