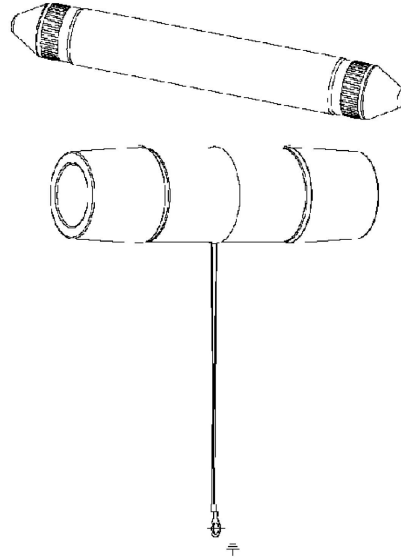


Coupling plug, incl. ground wire, compatible with size 2, 1250 A, 42 kV

To connect (coupling) the busbar of SF₆-insulated switchgears.

Application only with CONNEX-sockets size 2 with voltage tap which must always be earthed.



Picture may vary.

Technical Data

Article no.		839 004 006
Size		2
Max. system voltage	U_m (kV)	42
Nominal current	I_N (A)	1250
Remark		Bus-bar coupling plug, incl. ground wire
Weight	(kg)	10

Dimensions

Dimension L	(mm)	276
--------------------	-------------	-----