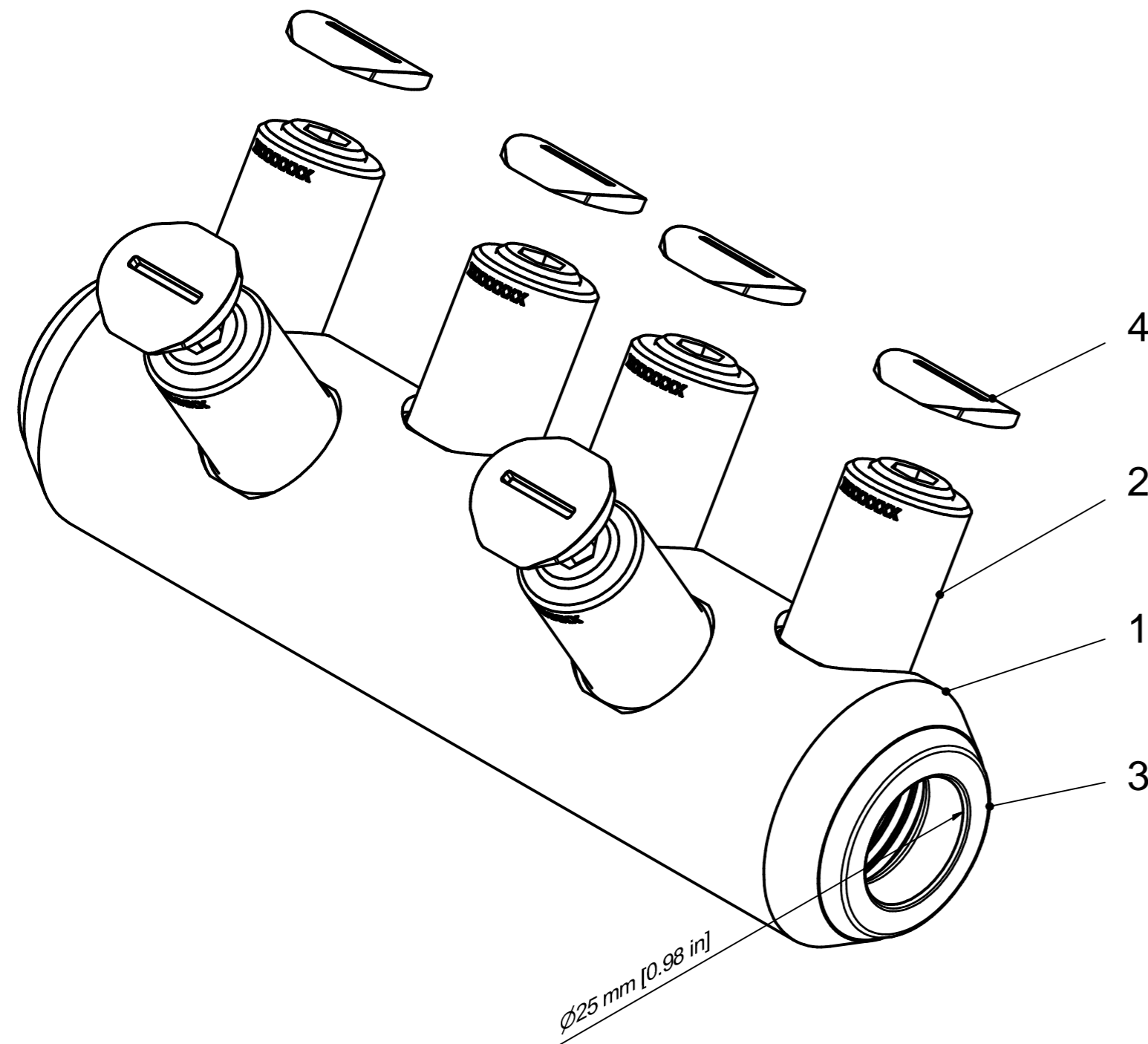
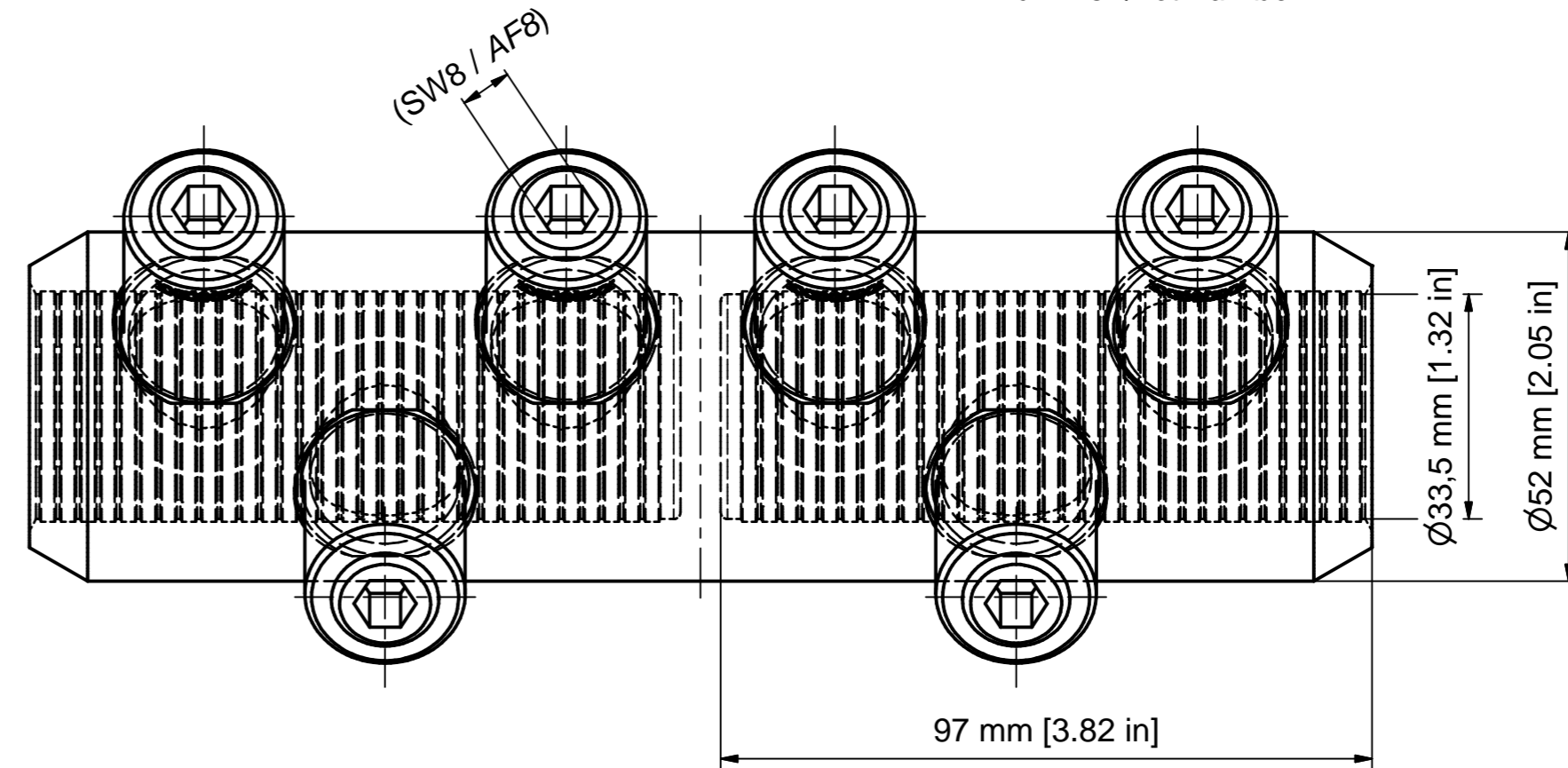


FA-Nummer / lot-number



Ø25 mm [0.98 in]

SM 120° / sector stranded 120°	300 (400 rundgedrückt)		300 (400 rundgedrückt)	
SE 120° / sector solid 120°				
SM 90° / sector stranded 90°	300 - 400		300 - 400	
SE 90° / sector solid 90°				
RE / round solid	300 - 800 (Ø 18,8-32,1)	600 - 1600 [Ø 0.76"-1.28"]	300 - 800 (Ø 18,8-32,1)	600 - 1600 [Ø 0.76"-1.28"]
RMV / round stranded and compressed	300 - 630 (Ø 19,7-32,5)	600 - 1250 [Ø 0.86"-1.26"]	300 - 630 (Ø 19,7-32,5)	600 - 1250 [Ø 0.86"-1.26"]
RM / round stranded	300 - 630 (Ø 21,6-33,2)	600 - 1250 [Ø 0.88"-1.30"]	300 - 630 (Ø 21,6-33,2)	600 - 1250 [Ø 0.88"-1.30"]
Einheit / unit	mm ² (mm)	AWG / kcmil [inch]	mm ²	AWG / kcmil [inch]
Norm / standard	DIN EN 60228	NEMA WC 70/71/74	DIN EN 60228	NEMA WC 70/71/74
Leiterarten / conductor type	Querschnittsbereich Aluleiter / cross section aluminium conductor		Querschnittsbereich Kupferleiter / cross section copper conductor	

OBJEKT		ANZAHL	BEZEICHNUNG
1	1	Körper Schraubverbinder 300-630 mm ² , verzinkt / Body mechanical connector 600-1250 kcmil, tinned	
2	6	SICON-Schraube SG24x1,5, blank / SICON-screw SG24x1,5, uncoated	
3	2	Zentrierhülse 300-400 mm ² / Centring ring 600-750 kcmil	
4	6	Abdeckkappe für SICON-Schraube SG24x1,5 / Covering cap for SICON-screw SG24x1,5	

Maßstab / scale	Gewicht ca. / weight ca. (g)	Beschreibung / title	
1 : 1	1330	SICON-SV-TS 300-630 mm ² + 800 mm ² RE Al/Cu	
Erstellt von / created by		D=52/d=33,5/L=200 mm	
Geprüft von / approved by		SICON-MC-OS 600-1250 kcmil+1600 kcmil solid Al/Cu	
		D=2,05"/d=1.32"/L=7.87"	
Ersatz für / replacement for		Dokumentart / type of document	Dateiname / filename
		Für Kunden	S03-150029
And.n.r. / rev. no.		And.datum / date of issue	Name / name
20201785		2021-01-22	BanzhafM
Index / rev.		Dokumentnr. / document no.	
03		332603012AI	
PFISTERER		Format / size	Blatt / sh.
PFISTERER Kontaktsysteme GmbH Germany		A2	1/1

The reproduction, distribution and utilization of this document as well as the communication of its contents to others without explicit authorization is prohibited. Offenders will be held liable for the payment of damages. All rights reserved in the event of the grant of a patent, utility model or design. © Pfisterer

