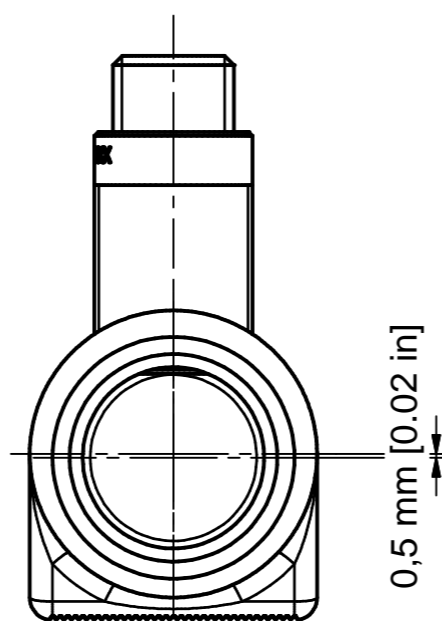
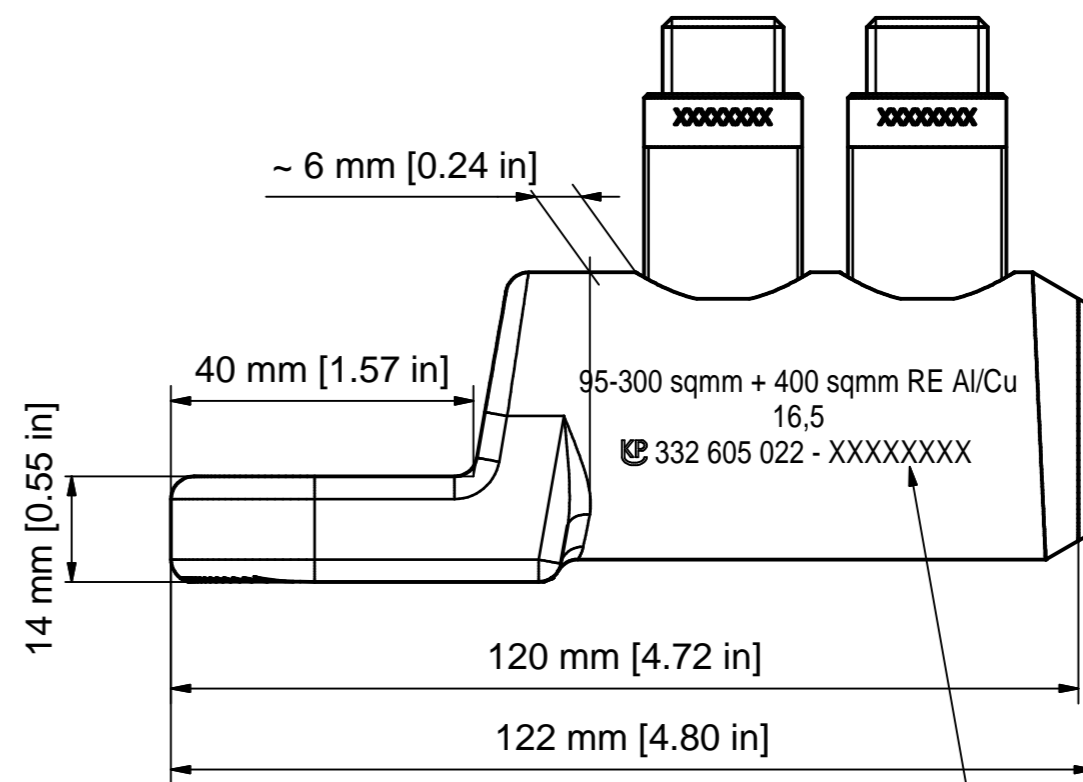


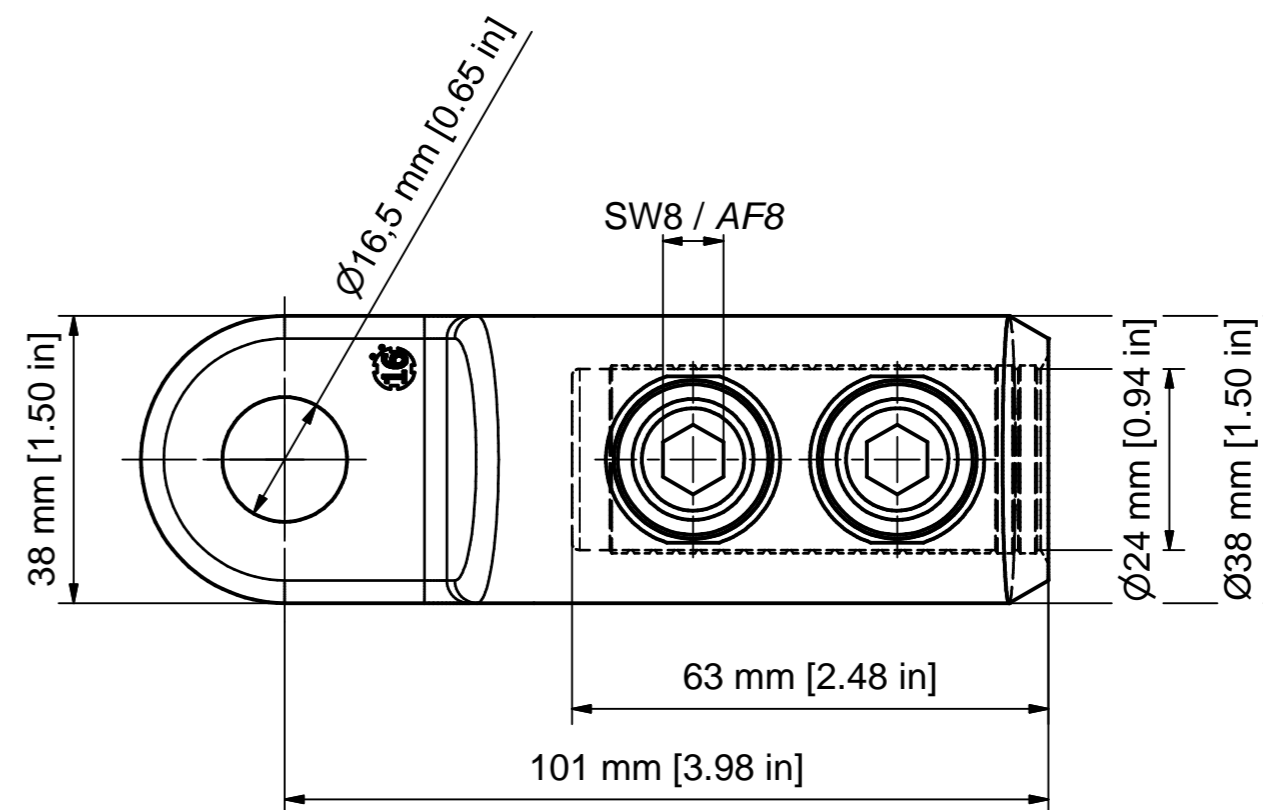
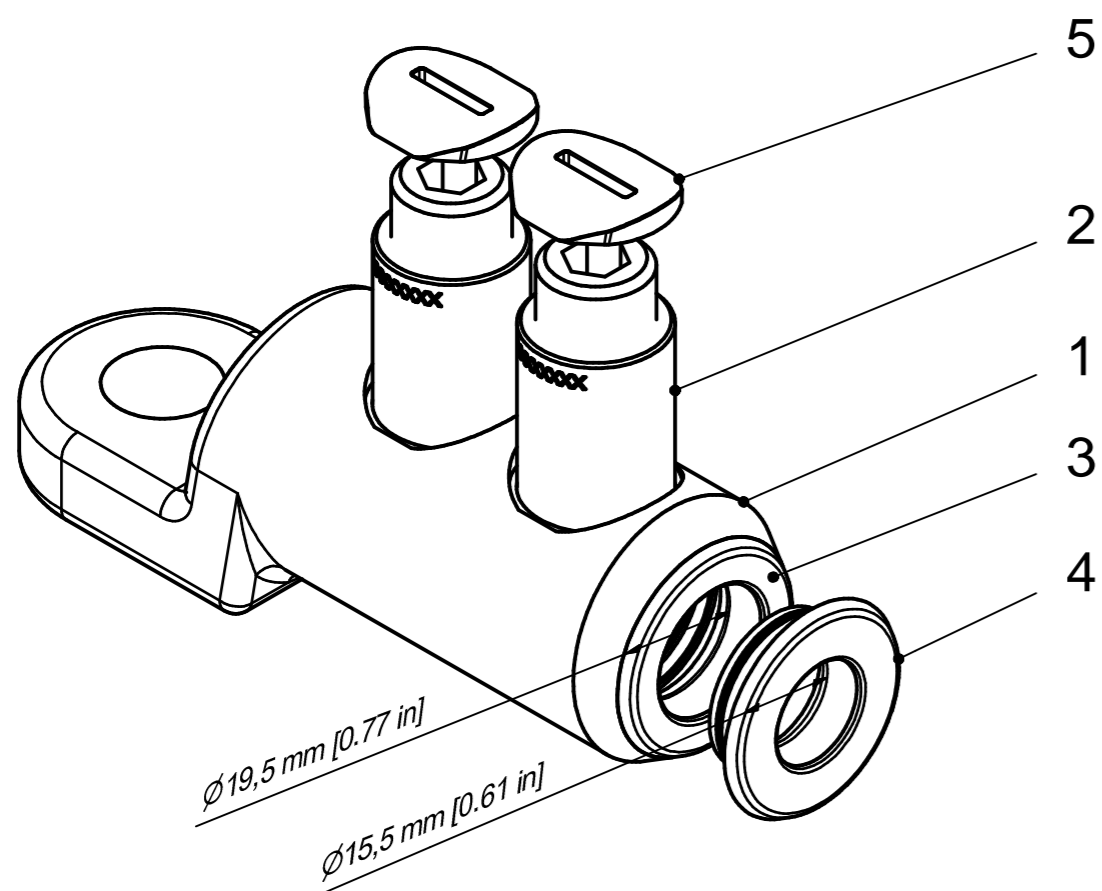
lot-number



0,5 mm [0.02 in]



FA-Nummer



OBJEKT		ANZAHL	BEZEICHNUNG
1	1	Körper Schraubkabelschuh 95-300 mm ² , verzinkt / Body mechanical cable lug 3/0-600 kcmil, tinned	
2	2	SICON-Schraube SG21x1, blank / SICON-screw SG21x1, uncoated	
3	1	Zentrierhülse dunkelgrün 185-240 mm ² / Centring ring dark green 300-450 kcmil	
4	1	Zentrierhülse lila 95-150 mm ² / Centring ring purple 3/0-250 kcmil	
5	2	Abdeckkappe für SICON-Schraube SG21x1 / Covering cap for SICON-screw SG21x1	

Maßstab / scale		Gewicht ca. / weight ca. (g)	
1 : 1		385	

Erstellt von / created by		Datum / date		Beschreibung / title	
ScheierM		2016-04-21		SICON-SKS 95-300 mm ² + 400 mm ² RE Al/Cu - 16,5 D=38/d=24/L=120 mm, Lasche 38x14x40 mm	
Geprüft von / approved by		2016-05-24		SICON-MCL 3/0-600kcmil+800kcmil solid Al/Cu-0,65" D=1.5/d=0.94/L=4.72", lug 1.5x0.55x1.57"	

Leiterarten / conductor type		Querschnittsbereich Aluleiter / cross section aluminium conductor		Querschnittsbereich Kupferleiter / cross section copper conductor	
SM 120° / sector stranded 120°	95 - 185 (240 rundgedrückt)		95 - 185 (240 rundgedrückt)		
SE 120° / sector solid 120°	95 - 240				
SM 90° / sector stranded 90°	95 - 185 (240 rundgedrückt)		95 - 185 (240 rundgedrückt)		
SE 90° / sector solid 90°	95 - 240				
RE / round solid	95 - 400 (Ø 10,3-22,2)	3/0 - 800 [Ø 0.40"-0.91"]	95 - 400 (Ø 10,3-22,2)	3/0 - 800 [Ø 0.40"-0.91"]	
RMV / round stranded and compressed	95 - 300 (Ø 11,0-21,6)	3/0 - 600 [Ø 0.44"-0.88"]	95 - 300 (Ø 11,0-21,6)	3/0 - 600 [Ø 0.44"-0.88"]	
RM / round stranded	95 - 300 (Ø 12,0-23,1)	3/0 - 600 [Ø 0.46"-0.90"]	95 - 300 (Ø 12,0-23,1)	3/0 - 600 [Ø 0.46"-0.90"]	
Einheit / Unit	mm ² (mm)	AWG / kcmil [inch]	mm ² (mm)	AWG / kcmil [inch]	
Norm / Standard	DIN EN 60228	NEMA WC 70/71/74	DIN EN 60228	NEMA WC 70/71/74	

Ersatz für / replacement for		Dokumentart / type of document		Dateiname / filename		Format / size		Blatt / sh.	
Für Kunden		S03-152509		A2		1/1			
And.nr. / rev. no.	20210935	And.datum / date of issue	2021-06-22	Name / name	ScheierM	Index / rev.	02	332605022AI	

The reproduction, distribution and utilization of this document as well as the communication of its contents to others without explicit authorization is prohibited. Offenders will be held liable for the payment of damages. All rights reserved in the event of the grant of a patent, utility model or design. © Pfisterer