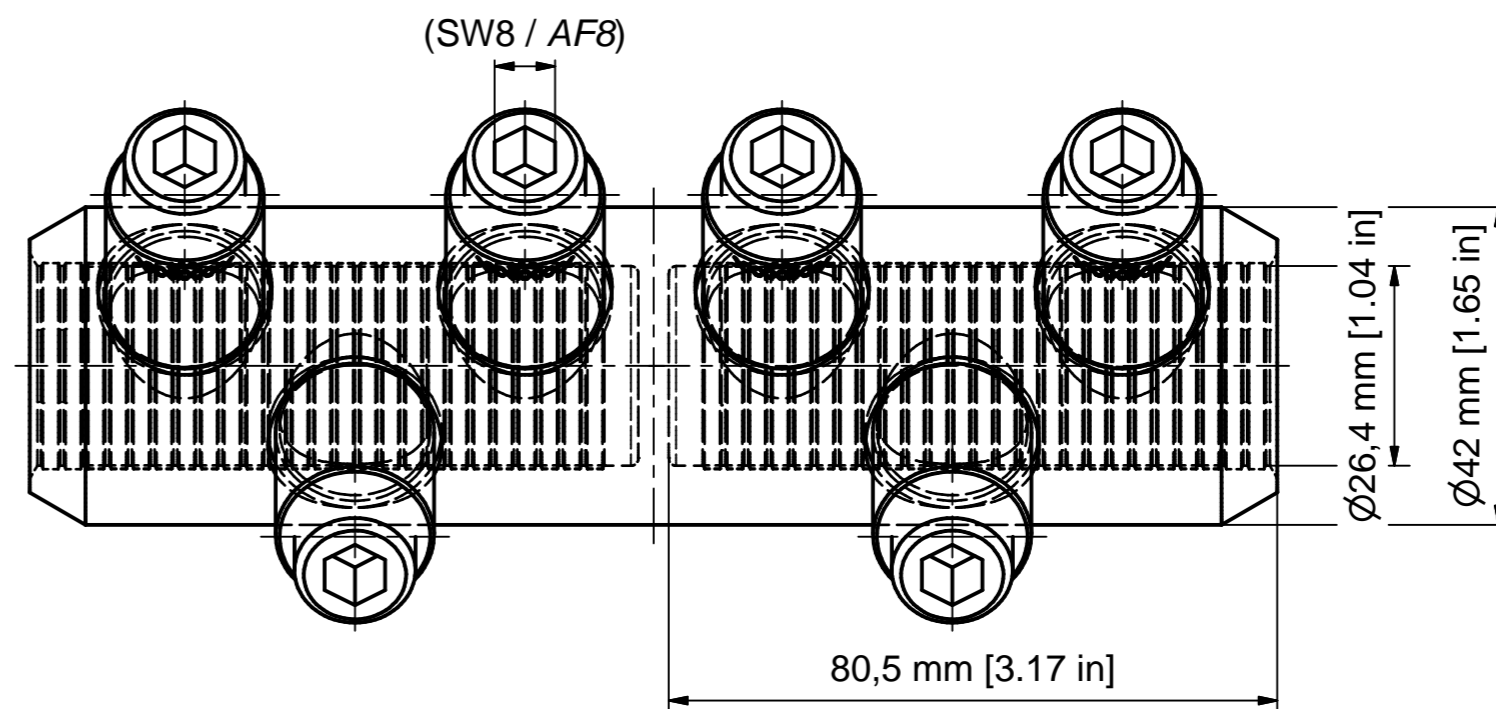
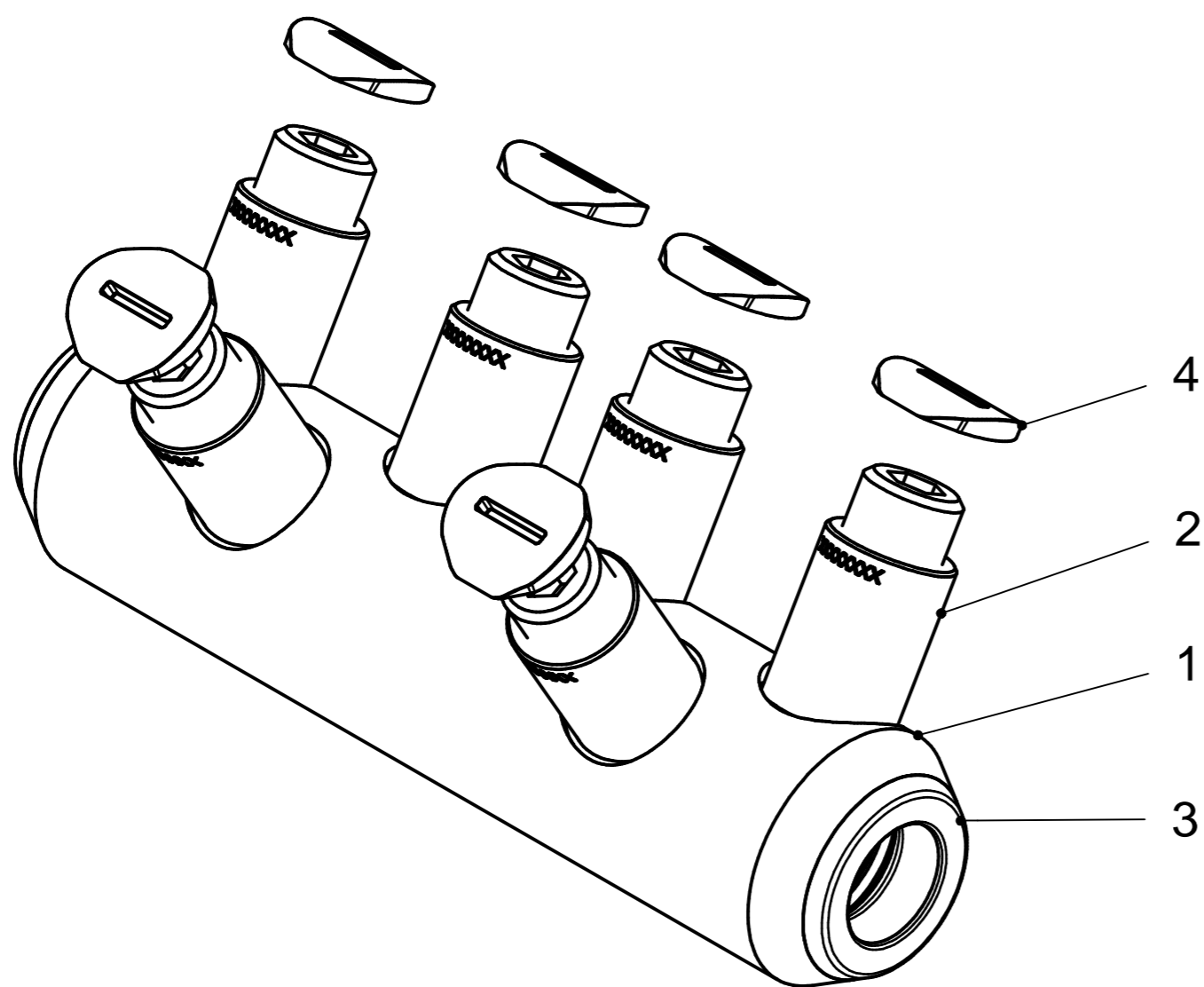


RJSM 185-400 sqmm + 500 sqmm RE Al/Cu
 SC750 350-800 kcmil + 1000 kcmil solid Al/Cu
 ☎ 332 617 012 - XXXXXXXX

FA-Nummer / lot-number



(SW8 / AF8)

SM 120° / sector stranded 120°	185 (240 rundgedrückt)		185 (240 rundgedrückt)	
SE 120° / sector solid 120°	185 - 240			
SM 90° / sector stranded 90°	185 - 240		185 - 240	
SE 90° / sector solid 90°	185 - 240			
RE / round solid	185 - 500 (Ø 14,5-25,1)	350 - 1000 (Ø 0.59"-0.99")	185 - 500 (Ø 14,5-25,1)	350 - 1000 (Ø 0.59"-0.99")
RMV / round stranded and compressed	185 - 400 (Ø 15,3-24,6)	350 - 800 (Ø 0.65"-1.01")	185 - 400 (Ø 15,3-24,6)	350 - 800 (Ø 0.65"-1.01")
RM / round stranded	185 - 400 (Ø 17,0-26,1)	350 - 800 (Ø 0.67"-1.03")	185 - 400 (Ø 17,0-26,1)	350 - 800 (Ø 0.67"-1.03")
Einheit / unit	mm² (mm)	AWG / kcmil (inch)	mm²	AWG / kcmil (inch)
Norm / standard	DIN EN 60228	NEMA WC 70/71/74	DIN EN 60228	NEMA WC 70/71/74
Leiterarten / conductor type	Querschnittsbereich Aluleiter / cross section aluminium conductor		Querschnittsbereich Kupferleiter / cross section copper conductor	

Stückliste / BOM				
OBJEKT	ANZAHL	BEZEICHNUNG		
1	1	Körper Schraubverbinder 185-400 mm², verzinkt / Body Mechanical Connector 350-800 kcmil, tinned		
2	6	SICON-Schraube SG21x1 / SICON-screw SG21x1		
3	2	Zentrierhülse schwarz 185-240 mm² / Centring ring black 350-450 kcmil		
4	6	Abdeckkappe für SICON-Schraube SG21x1 / Covering cap for SICON-Screw SG21x1		
Maßstab / scale		Gewicht ca. / weight ca. (g)		
1 : 1		884		
Erstellt von / created by		Name / name		Datum / date
Oberschelp		Oberschelp		2015-05-27
Geprüft von / approved by		Name / name		Datum / date
Groezinger		Groezinger		2015-05-27
Beschreibung / title				
SICON-SV-TS 185-400 mm² + 500 mm² RE Al/Cu				
D=42/d=26,4/L=165 mm				
SICON-MC-OS 350-800kcmil + 1000kcmil solid Al/Cu				
D=1.65"/d=1.04"/L=6.50"				
Ersatz für / replacement for		Dokumentart / type of document		Dateiname / filename
E1124Z09-01A		Für Kunden		S03-150739
And.n.r. / rev. no.		And.datum / date of issue		Name / name
20210935		2021-06-23		ScheierM
Index / rev.		Dokumentnr. / document no.		
03		332617012AI		
PFISTERER PFISTERER Kontaktsysteme GmbH Germany				

The reproduction, distribution and utilization of this document as well as the communication of its contents to others without explicit authorization is prohibited. Offenders will be held liable for the payment of damages. All rights reserved in the event of the grant of a patent, utility model or design. © Pfisterer