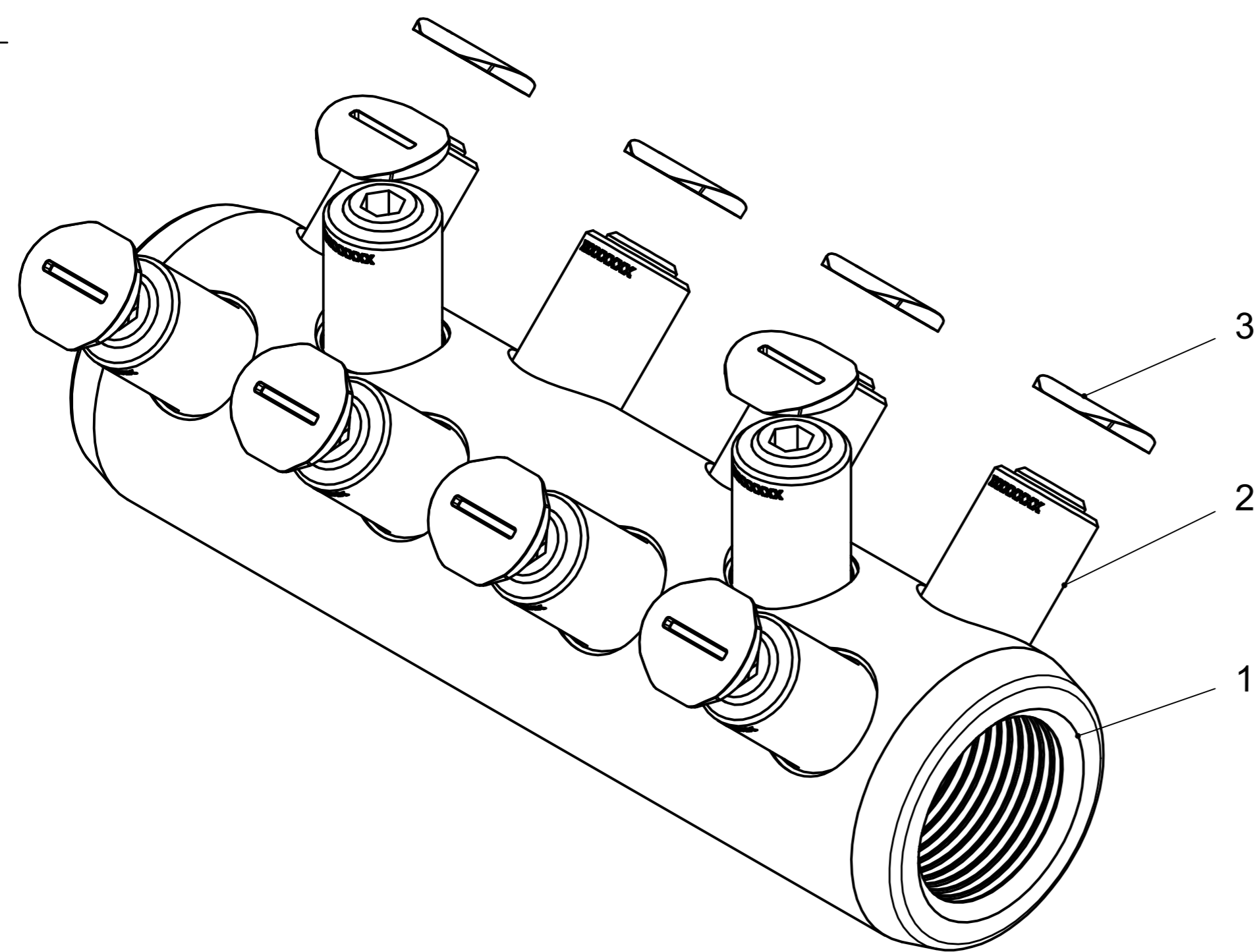
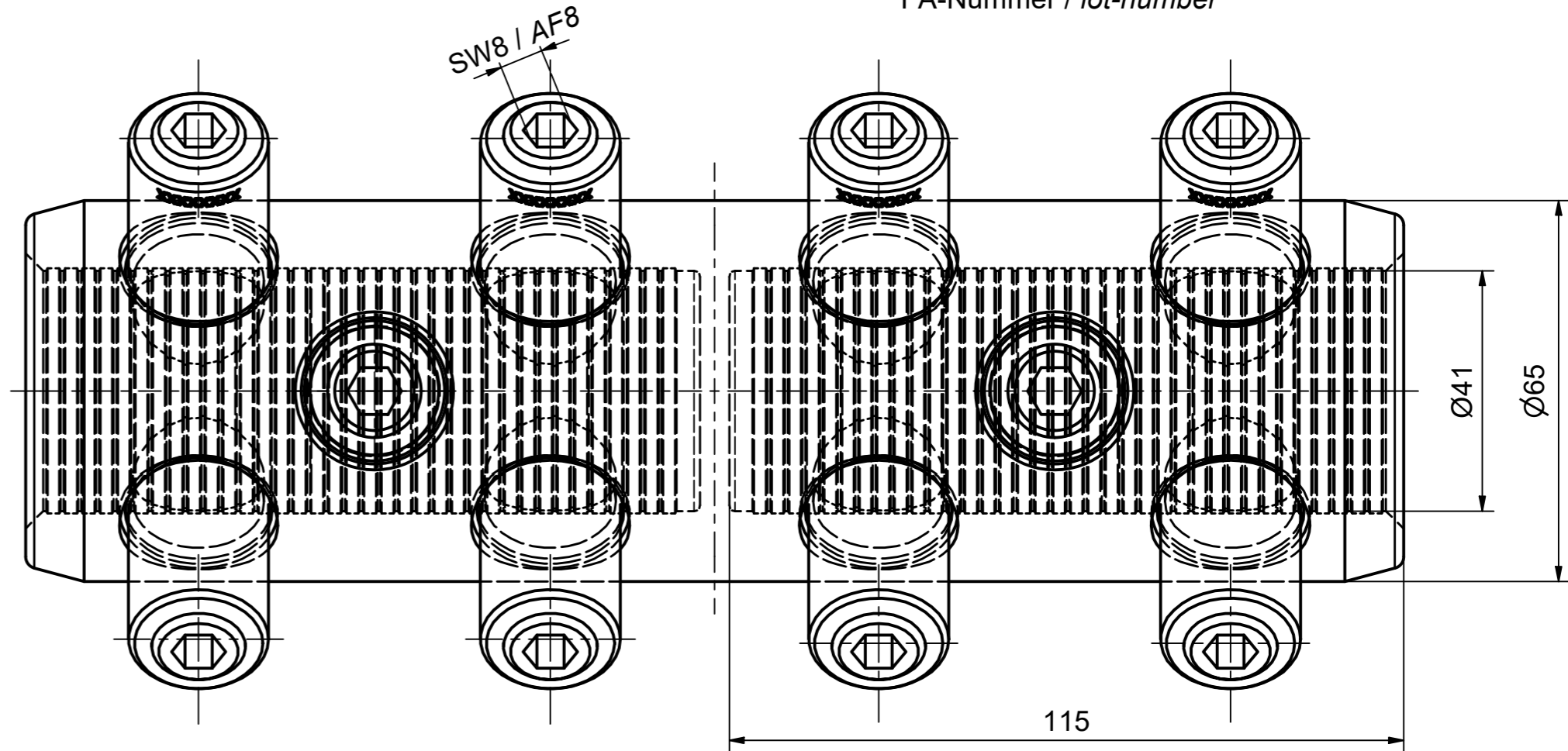


800-1000 sqmm Al/Cu - LD = 36-40,5 mm - CDL = 115 mm
 1500-2000 kcmil Al/Cu - CD = 1.42-1.59" - CDL = 4.53"
 ☎332 645 022 - XXXXXXXX

FA-Nummer / lot-number



Stückliste / BOM

Position / position	Anzahl / Quantity	Beschreibung / Description
1	1	Körper SICON-SV 800-1000 mm ² , verzinkt/ Body SICON-MC 1500-2000 kcmil, tinned
2	10	SICON-Schraube SG24x1,5, blank / SICON-screw SG24x1,5, uncoated
3	10	Abdeckkappe für SICON-Schraube SG24x1,5 / Covering cap for SICON-screw SG24x1,5

Maßstab / scale	Gewicht ca. / weight ca. (KG)	Beschreibung / title	
1 : 1	2,32	SICON-SV 800-1000 sqmm Al/Cu LD=36-40,5 mm D=65/d=41/L=235 mm	
Erstellt von / created by	Name / name	Datum / date	SICON-MC 1500-2000 kcmil Al/Cu CD=1.42-1.59" D=2.56/d=1.61/L=9.25"
SCHEIERM		05.03.2024	
Geprüft von / approved by	PFEIFFER	06.03.2024	
PFISTERER		Ersatz für / replacement for	Dokumentart / type of document
PFISTERER Kontaktsysteme GmbH Germany		332590074A	Kundenzzeichnung / Customer drawing
And.nr. / rev. no.	Status / status	Index / rev.	Dateiname / filename
20240942	Serienfreigabe / Series Release	01	1000038832_dwg_000.DWG
			Format / size Blatt / sh.
			A2 1/1
			332645022AI

The reproduction, distribution and utilization of this document as well as the communication of its contents to others without explicit authorization is prohibited. Offenders will be held liable for the payment of damages. All rights reserved in the event of the grant of a patent, utility model or design. © Pfisterer