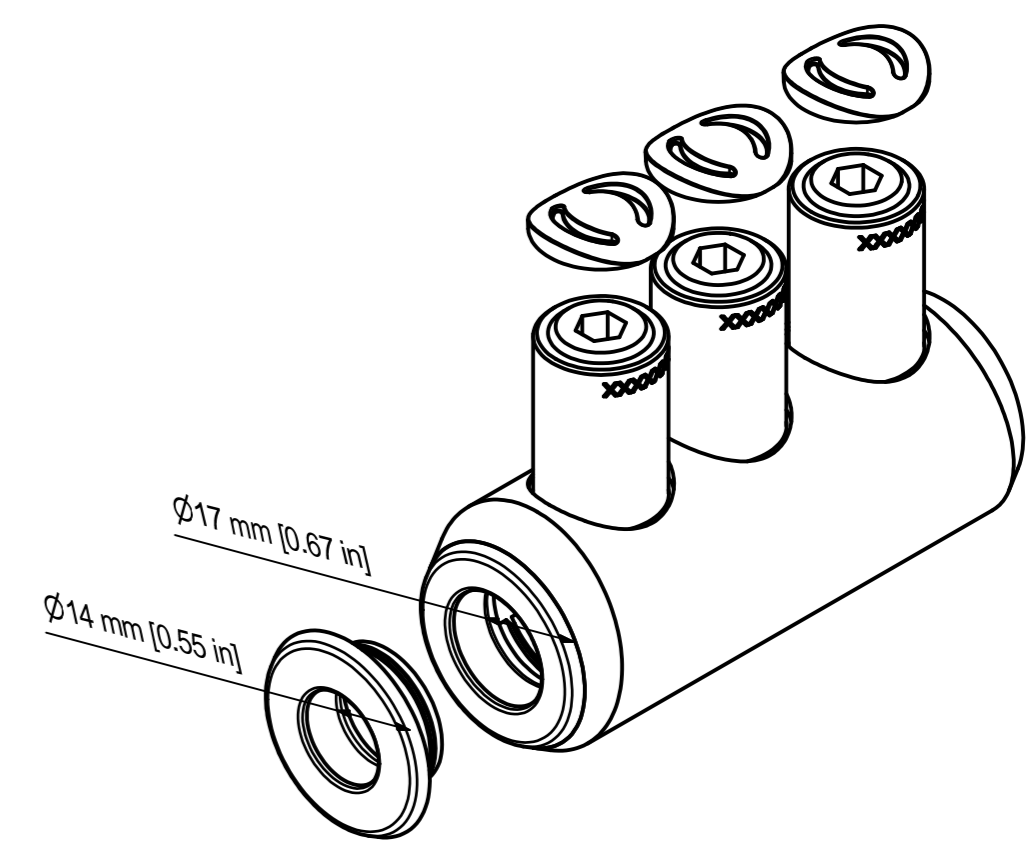
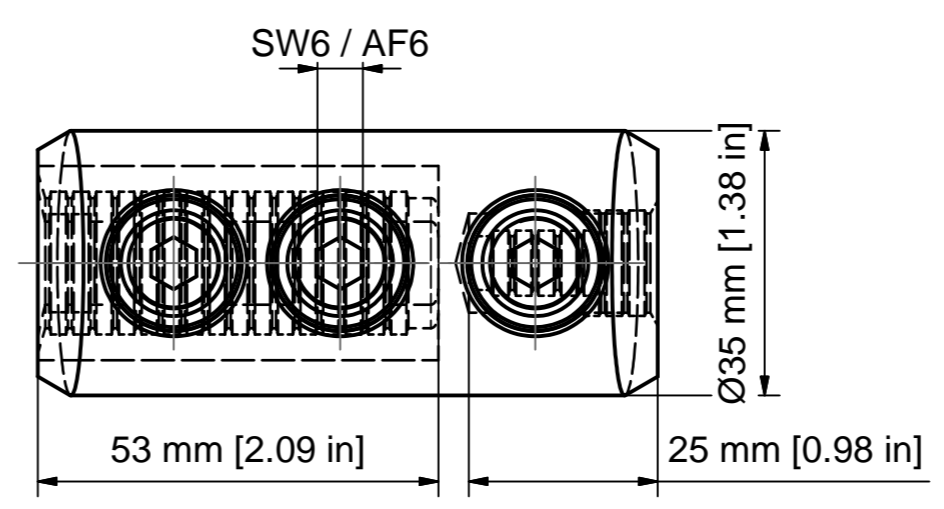
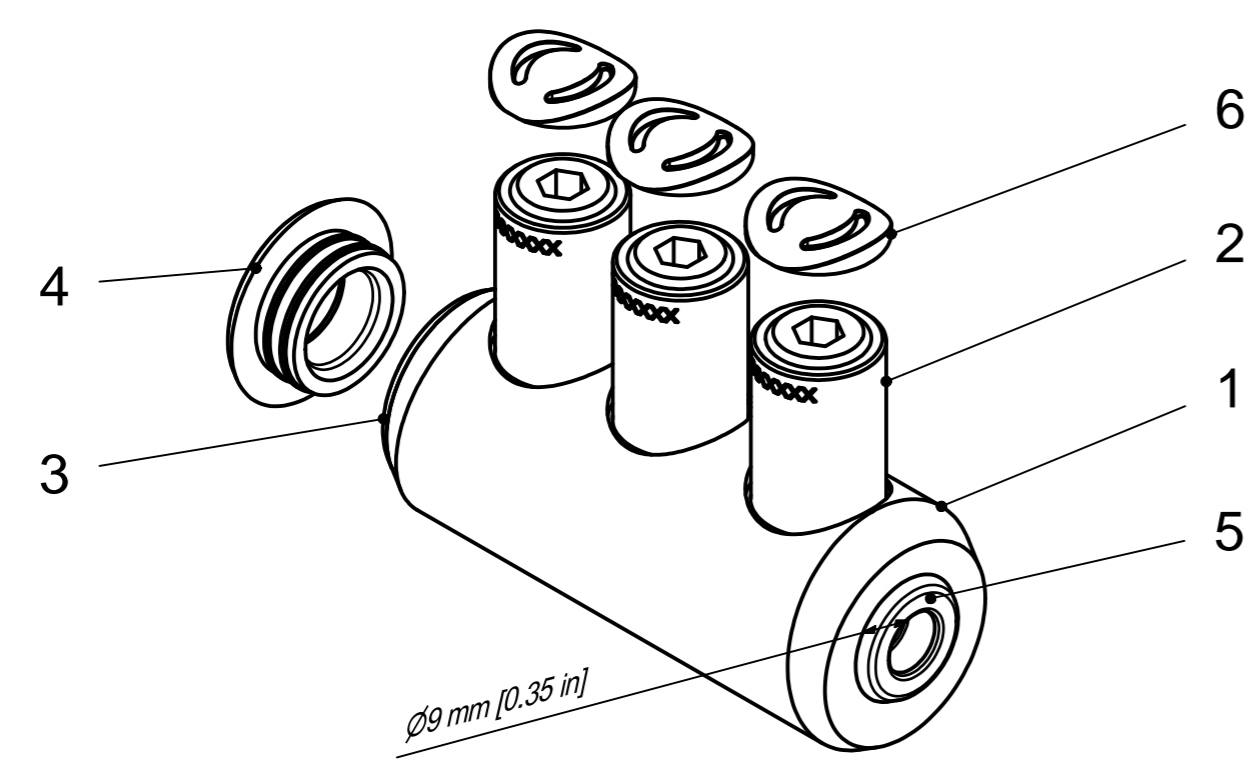
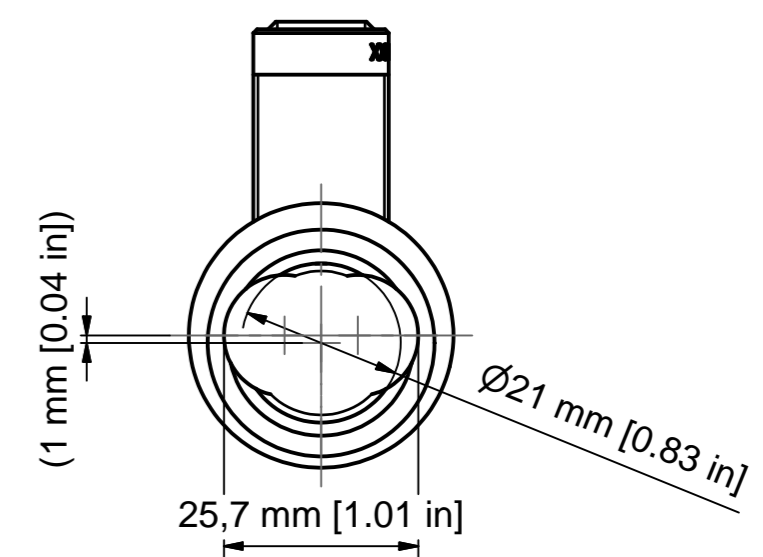
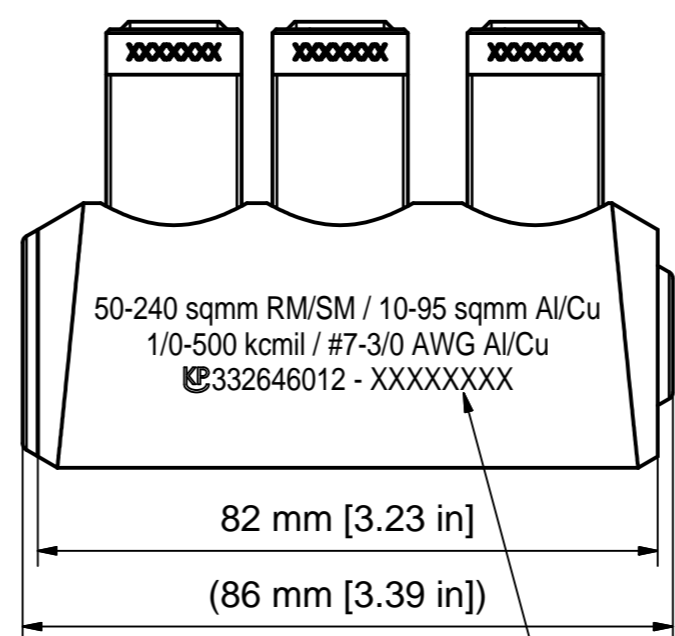
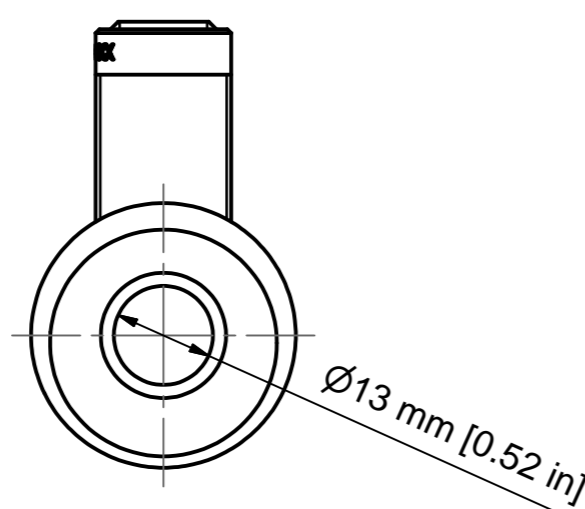


The reproduction, distribution and utilization of this document as well as the communication of its contents to others without explicit authorization is prohibited. Offenders will be held liable for the payment of damages. All rights reserved in the event of the grant of a patent, utility model or design. © Pfisterer



SM 120° / sector stranded 120°	50 - 240 (rundgedrückt/pressed round)		50 - 240 (rundgedrückt/pressed round)	
SE 120° / sector solid 120°	50 - 240			
SM 90° / sector stranded 90°	50 - 240		50 - 240	
SE 90° / sector solid 90°	50 - 240			
RE / round solid	50 - 240 (Ø 7,2 - 17,6)	1/0 - 500 [Ø 0.30" - 0.72"]	50 - 240 (Ø 7,2 - 17,6)	1/0 - 500 [Ø 0.30" - 0.72"]
RMV / round stranded and compressed	50 - 240 (Ø 7,7 - 19,2)	1/0 - 500 [Ø 0.36" - 0.79"]	50 - 240 (Ø 7,7 - 19,2)	1/0 - 500 [Ø 0.36" - 0.79"]
RM / round stranded	50 - 240 (Ø 8,0 - 20,6)	1/0 - 500 [Ø 0.37" - 0.82"]	50 - 240 (Ø 8,0 - 20,6)	1/0 - 500 [Ø 0.37" - 0.82"]
Einheit / unit	mm² (mm)	AWG / kcmil [inch]	mm² (mm)	AWG / kcmil [inch]
Norm / standard	DIN EN 60228	NEMA WC 70/71/74	DIN EN 60228	NEMA WC 70/71/74

Leiterarten / conductor type	50-240 mm² / 1/0-500 kcmil	Querschnittsbereich Aluleiter / cross section aluminium conductor	Querschnittsbereich Kupferleiter / cross section copper conductor	
SM 120° / sector stranded 120°	35 - 50 (70 rundgedrückt/pressed round)		35 - 50 (70 rundgedrückt/pressed round)	
SE 120° / sector solid 120°	50 - 70			
SM 90° / sector stranded 90°	35 - 70		35 - 70	
SE 90° / sector solid 90°	50 - 95			
RE / round solid	10 - 95 (Ø 3,4-11,0)	#7 - 3/0 [Ø 0.14"-0.42"]	10 - 95 (Ø 3,4-11,0)	#7 - 3/0 [Ø 0.14"-0.42"]
RMV / round stranded and compressed	10 - 95 (Ø 3,6-12,0)	#7 - 3/0 [Ø 0.15"-0.47"]	10 - 95 (Ø 3,6-12,0)	#7 - 3/0 [Ø 0.15"-0.47"]
RM / round stranded	10 - 95 (Ø 3,7-12,9)	#7 - 3/0 [Ø 0.16"-0.48"]	10 - 95 (Ø 3,7-12,9)	#7 - 3/0 [Ø 0.16"-0.48"]
Einheit / unit	mm² (mm)	AWG / kcmil [inch]	mm² (mm)	AWG / kcmil [inch]
Norm / standard	DIN EN 60228	NEMA WC 70/71/74	DIN EN 60228	NEMA WC 70/71/74
Leiterarten / conductor type	10-95 mm² / #7-3/0 AWG	Querschnittsbereich Aluleiter / cross section aluminium conductor	Querschnittsbereich Kupferleiter / cross section copper conductor	

Stückliste / BOM		
Objekt	Anzahl	BEZEICHNUNG
1	1	Körper ÜSV 50-240/10-95 mm², verzinkt / Body TMC 50-240/10-95 sqmm, tinned
2	3	SICON-Schraube M18x1, blank / SICON-screw M18x1, uncoated
3	1	Zentrierhülse grau 150-185 mm² / Centring ring grey 250-350 kcmil
4	1	Zentrierhülse gelb 50-120 mm² / Centring ring yellow 1/0-4/0 AWG
5	1	Zentrierhülse hellgrün 10-50 mm² / Centring ring light green #7-#1 AWG
6	3	Abdeckkappe für SICON-Schraube SG18x1 / Covering cap for SICON-screw SG18x1

Maßstab / scale	1 : 1	Gewicht ca. / weight ca. (g)	230
Erstellt von / created by	BanzhafM	Datum / date	2016-09-12
Gepüft von / approved by	Groezinger	Datum / date	2016-09-16
Name / name		Datum / date	
BanzhafM		2016-09-12	
Beschreibung / title			
SICON-ÜSV-TS 50-240 RM/SM / 10-95 mm² Al/Cu			
D=35/d=21/13/L=82 mm			
SICON-TMC-OS 1/0-500 kcmil / #7-3/0 AWG Al/Cu			
D=1.38/d=0.83/0.52/L=3.23"			
Ersatz für / replacement for		Dokumentart / type of document	
E1124226-01A		Für Kunden	
Dateiname / filename		S03-153599	
Format / size		A2 1/1	
Änd.n.r. / rev. no.		Änd.datum / date of issue	
20160031		2016-09-12	
Name / name		Index / rev.	
BanzhafM		01	
Dokumentnr. / document no.		332646012AI	
PFISTERER PFISTERER Kontaktsysteme GmbH Germany			