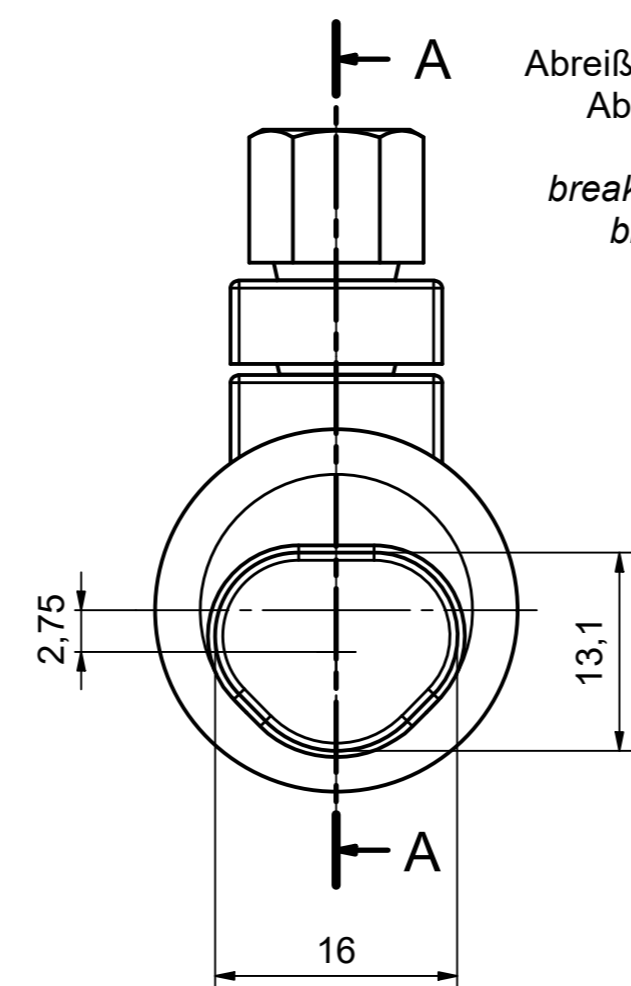
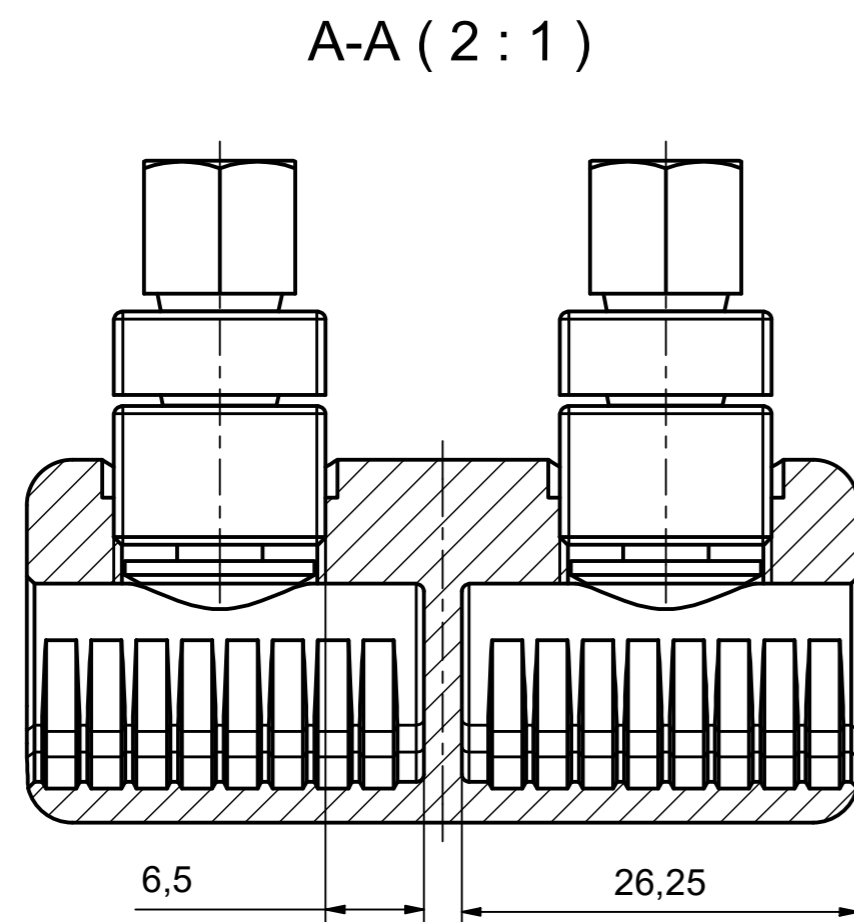
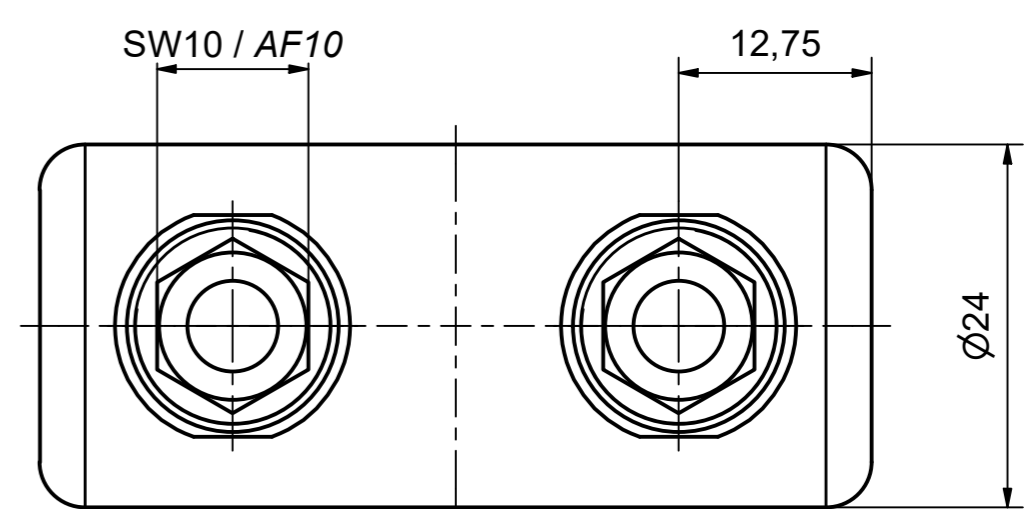
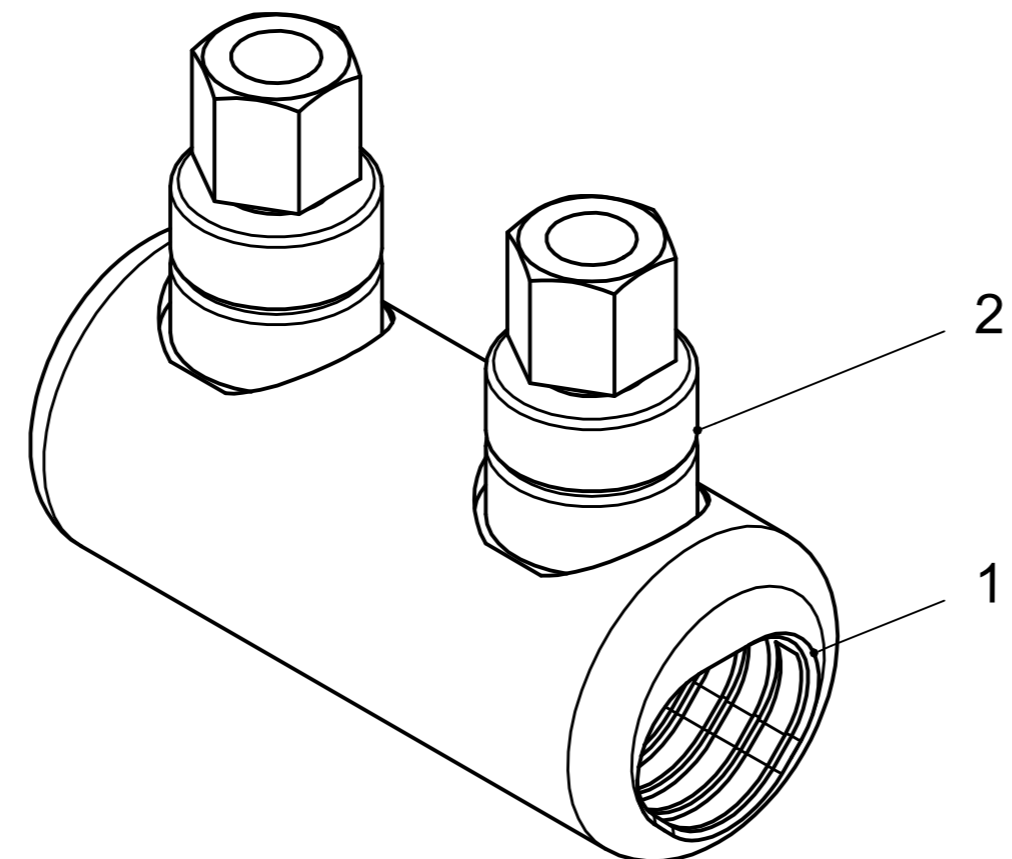
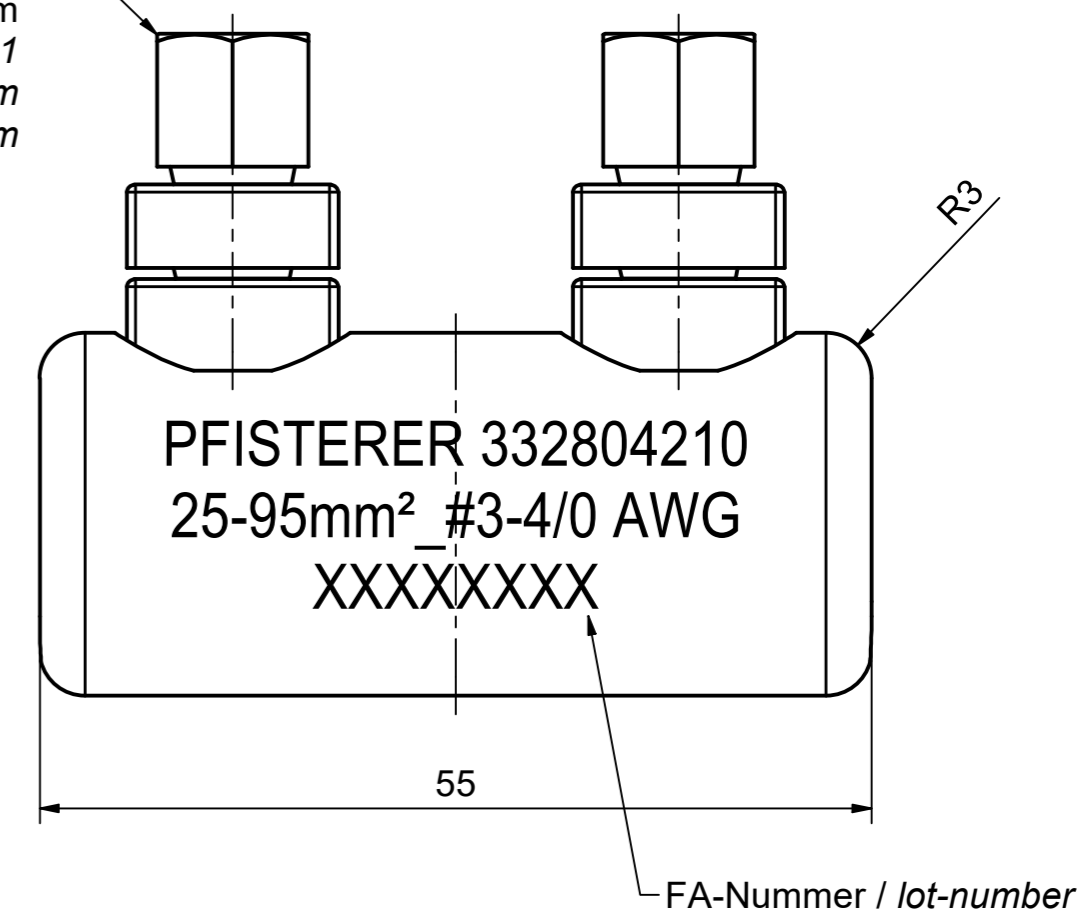


The reproduction, distribution and utilization of this document as well as the communication of its contents to others without explicit authorization is prohibited. Offenders will be held liable for the payment of damages. All rights reserved in the event of the grant of a patent, utility model or design. © Pfisterer



LV-2S-Abreißschraube SG14x1
 Abreißdrehmoment H1 = 14,5-18,5 Nm
 Abreißdrehmoment H2 = 19-23 Nm
 Shear bolt SG14x1
 breakaway torque H1 = 14,5-18,5 Nm
 breakaway torque H2 = 19-23 Nm



Leiterarten / conductor type	Querschnittsbereich Aluleiter / cross section aluminium conductor	Querschnittsbereich Kupferleiter / cross section copper conductor
SM 120° / sector stranded 120°	35 - 95	35 - 95
SE 120° / sector solid 120°	50 - 95	
SM 90° / sector stranded 90°	35 - 95	35 - 95
SE 90° / sector solid 90°	50 - 95	
RE / round solid	25 - 95 (Ø 5,2-11,0)	#3 - 4/0 [Ø 0.22"-0.47"]
RMV / round stranded and compressed	25 - 95 (Ø 5,6-12,0)	#3 - 4/0 [Ø 0.25"-0.51"]
RM / round stranded	25 - 95 (Ø 6,1-12,9)	#3 - 4/0 [Ø 0.26"-0.51"]
Einheit / unit	mm² (mm)	AWG / kcmil [inch]
Norm / standard	DIN EN 60228	NEMA WC 70/71/74

OBJEKT		ANZAHL	BEZEICHNUNG
1	1	Körper LV-MC_OS_25-95_55x24/16x13,1, verzinkt / Body LV-MC_OS_25-95_55x24/16x13,1, tinned	
2	2	LV-2S-Abreißschraube SG14x1, Alu blank / LV-2S-Shear bolt SG14x1, aluminum uncoated	
Maßstab / scale		Gewicht ca. / weight ca. (G)	
2 : 1		50	
Erstellt von / created by	Name / name	Datum / date	Beschreibung / title
GUATA		14.01.2025	1kV-Schraubverbinder - Trennsteg/2 Abreißschrauben
Geprüft von / approved by		16.01.2025	25-95mm² #3-4/0 AWG ø24xL55/16x13,1_A1, verzinkt
Ersatz für / replacement for		Dokumentart / type of document	
T00256-EA-01A1		Kundenzzeichnung / Customer drawing	
Dateiname / filename		Format / size	
10000029060_dwg_000.iwb		A2 1/1	
And.nr. / rev. no.		Status / status	
20250042		Serienfreigabe / Series Release	
Index / rev.		Dateiname / filename	
05		PFISTERER Dokumentnr. / PFISTERER document no.	
PFISTERER Kontaktsysteme GmbH Germany		332804210A1	