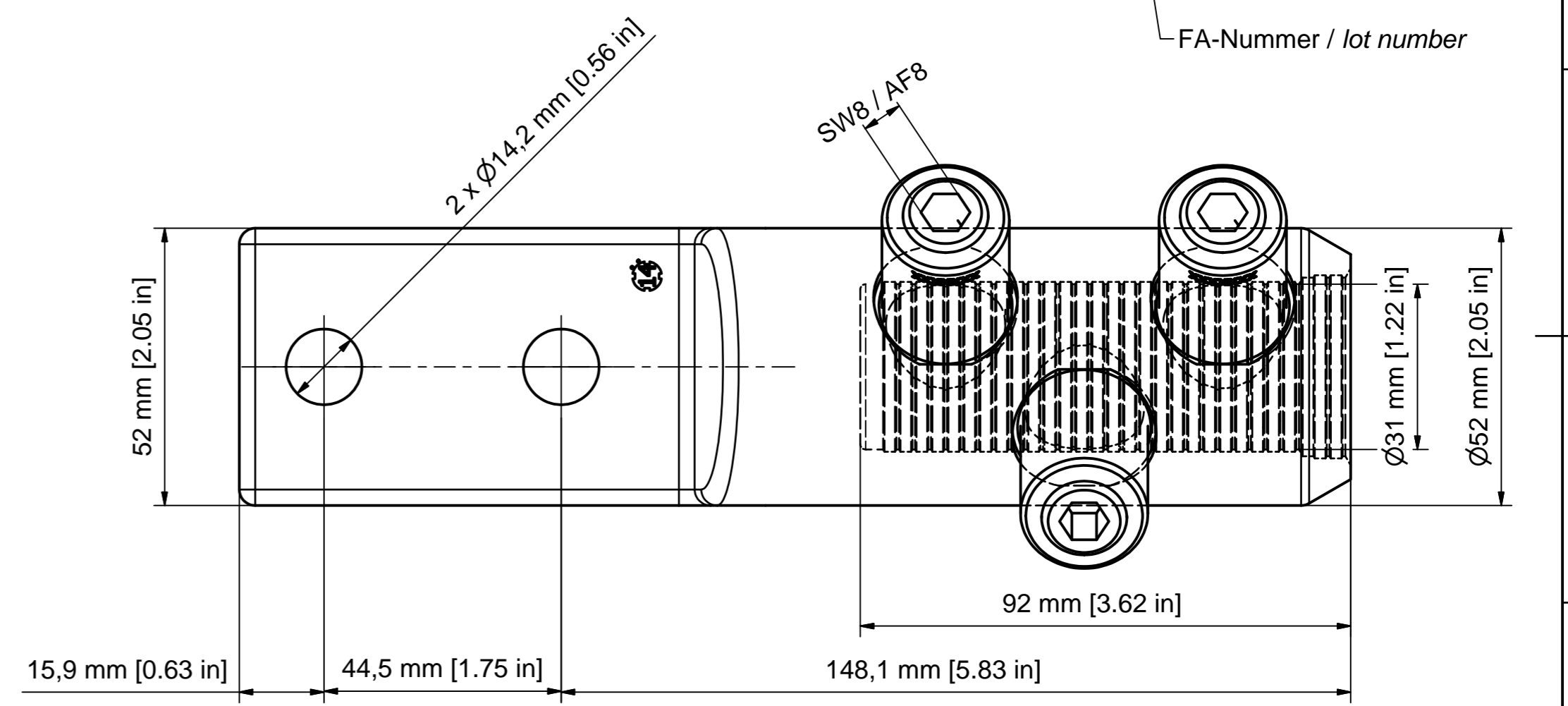
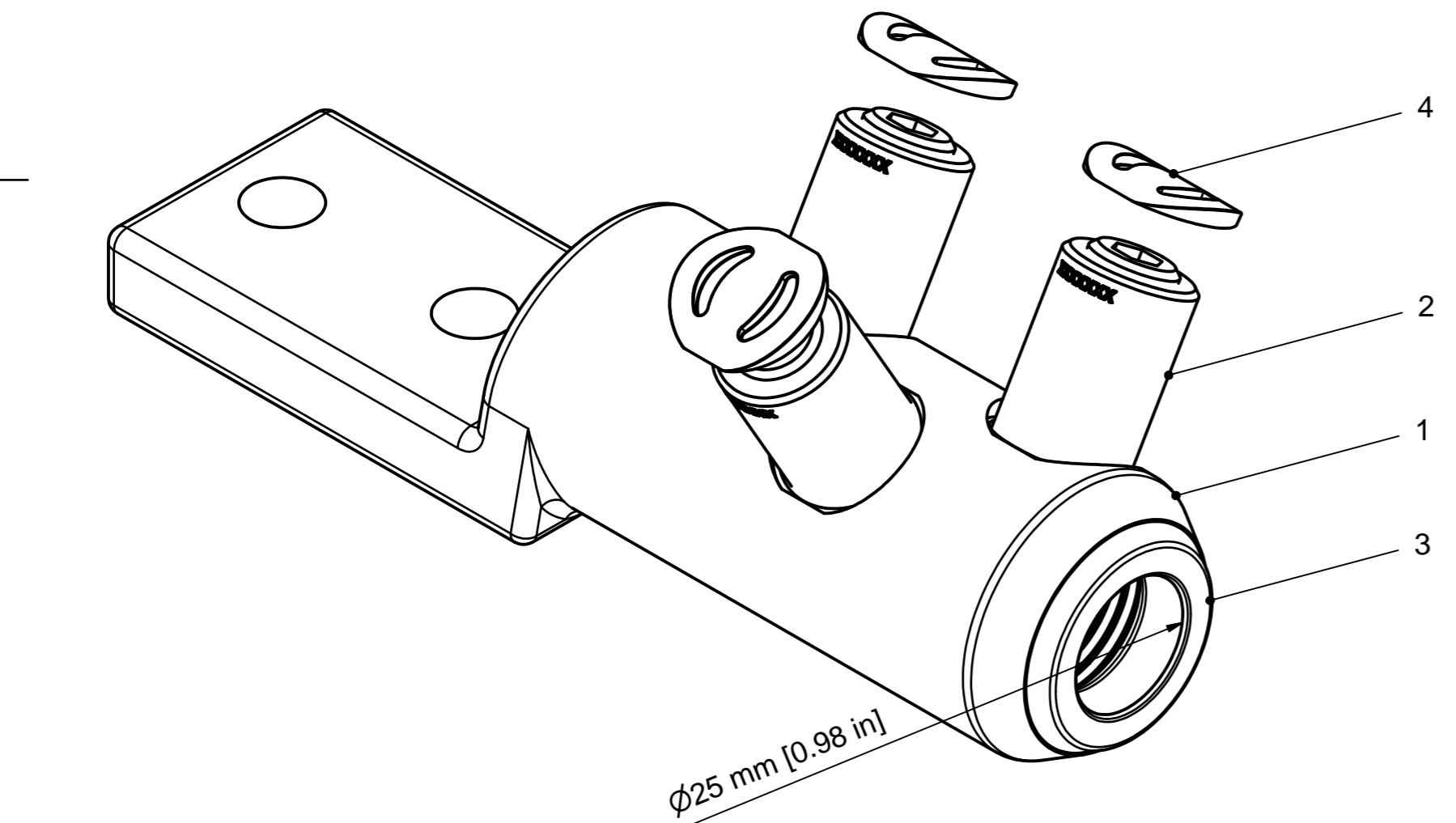
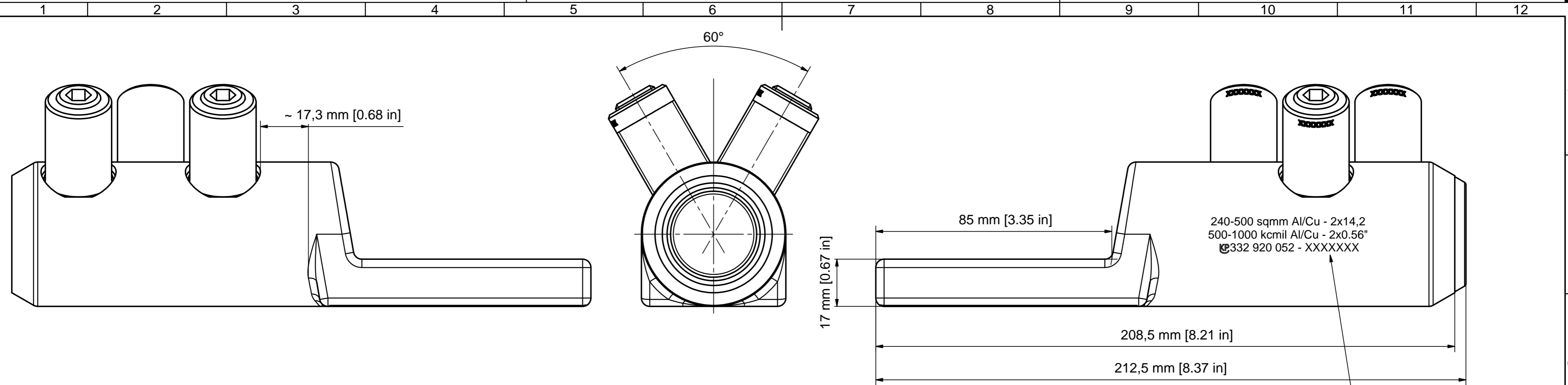


The reproduction, distribution and utilization of this document as well as the communication of its contents to others without explicit authorization is prohibited. Offenders will be held liable for the payment of damages. All rights reserved in the event of the grant of a patent, utility model or design. © Pfisterer



Leiterarten / conductor type	Querschnittsbereich Aluleiter / cross section aluminium conductor	Querschnittsbereich Kupferleiter / cross section copper conductor
SM 120° / sector stranded 120°	240 - 300	240 - 300
SE 120° / sector solid 120°	240	
SM 90° / sector stranded 90°	240 - 300	240 - 300
SE 90° / sector solid 90°	240	
RE / round solid	240 - 500 (Ø 16,7-25,1)	500 - 1000 [Ø 0.70"-1.01"]
RMV / round stranded and compressed	240 - 500 (Ø 17,6-27,6)	500 - 1000 [Ø 0.78"-1.13"]
RM / round stranded	240 - 500 (Ø 19,1-29,2)	500 - 1000 [Ø 0.80"-1.17"]
Einheit / unit	mm² (mm)	AWG / kcmil [inch]
Norm / standard	DIN EN 60228	NEMA WC 70/71/74
	DIN EN 60228	NEMA WC 70/71/74

OBJEKT ANZAHL		BEZEICHNUNG
1	1	Körper Schraubkabelschuh 240-500 mm², verzinkt / Body mechanical cable lug 500-1000 kcmil, tinned
2	3	SICON-Schraube SG24x1,5, blank / SICON-screw SG24x1,5, uncoated
3	1	Zentrierhülse 300-400 mm² / Centering ring 600-750 kcmil
4	3	Abdeckkappe für SICON-Schraube SG24x1,5 / Covering cap for SICON-screw SG24x1,5

Maßstab / scale	Gewicht ca. / weight ca. (g)	Beschreibung / title	
1 : 1	1020	SICON-SKS 240-500 mm² Al/Cu - 2x14,2	
Erstellt von / created by	Name / name	Datum / date	D=52/d=31/L=208,5 mm, Lasche 52x17x85 mm
ScheierM	ScheierM	2016-02-09	SICON-MCL 500-1000 kcmil Al/Cu - 2x0.56
Geprüft von / approved by	Name / name	Datum / date	D=2.05/d=1.22/L=8.21 mm, lug 2.05x0.67x3.35 mm
Groezinger	Groezinger	2016-09-16	
PFISTERER		Ersatz für / replacement for	Dokumentnr. / document no.
PFISTERER Kontaktsysteme GmbH Germany		Für Kunden	S03-151960
And.nr. / rev. no.	And.datum / date of issue	Name / name	Index / rev.
20160057	2016-02-09	ScheierM	01
		Dokumentnr. / document no.	
		332920052AI	