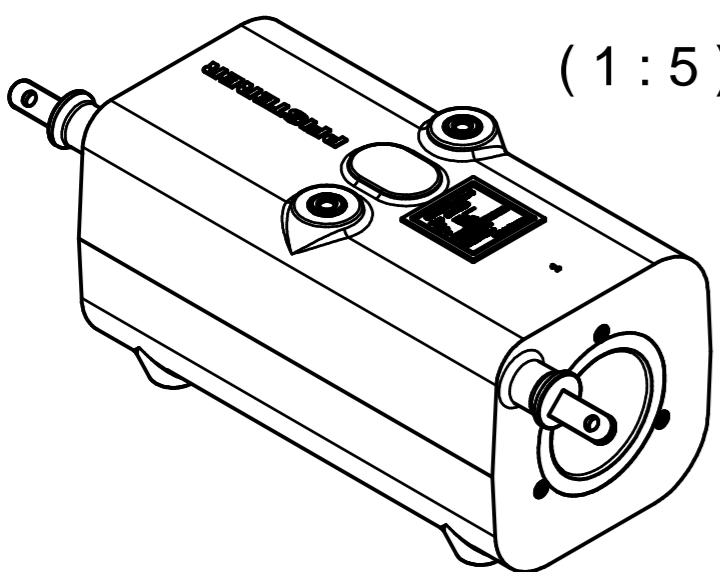
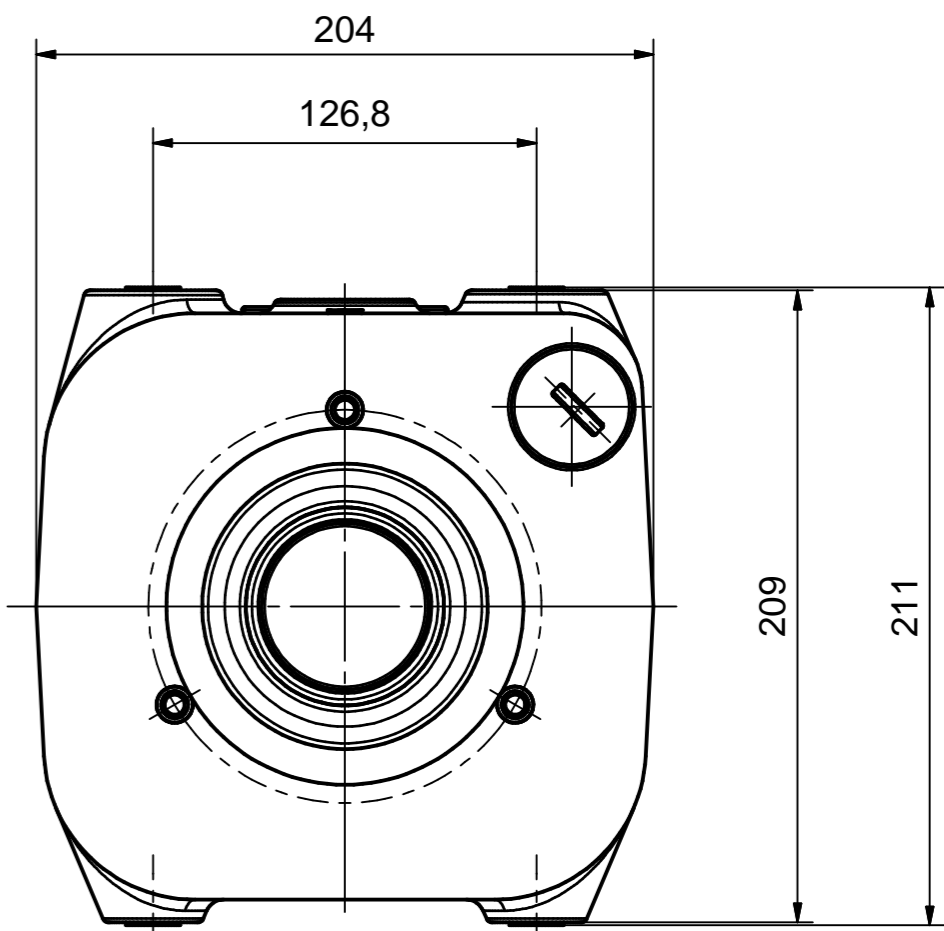


Kontaktschiene zum Verbinden des Kabelschirms.
Isoliert zur Muffenschirmung (10kV DC).
Contact rail for transition of the cable screen.
Insulated to the screen of the joint (10kV DC).

Alle Gewindebuchsen sind mit den Erdungsanschlüssen verbunden.
Every threaded bushing is connected to the earthing connections.



The reproduction, distribution and utilization of this document as well as the communication of its contents to others without explicit authorization is prohibited. Offenders will be held liable for the payment of damages. All rights reserved in the event of the grant of a patent, utility model or design. © Pfisterer

Maßstab / scale 1 : 2,5	Gewicht ca. / weight ca. (g) 29138	Beschreibung / title CONNEX Verbindungsmuffe Gr. 3, 52kV			
Erstellt von / created by Kuna	Datum / date 2020-07-01	CONNEX Joint size 3, 52kV			
Geprüft von / approved by Ross	Datum / date 2020-07-02	Ersatz für / replacement for Für Kunden			
PFISTERER PFISTERER Kontaktsysteme GmbH Germany		Dokumentnr. / document no. S02-182130	Format / size A2	Blatt / sh. 1/1	
And.n./ rev. no. 20201089	And.datum / date of issue 2020-07-01	Name / name Kuna	Index / rev. 01	Dokumentnr. / document no. 827228002A	