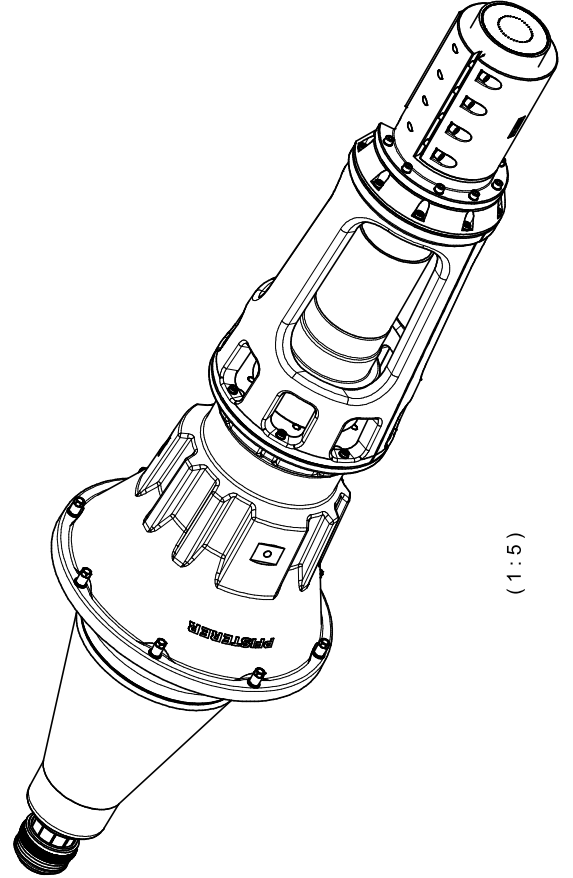
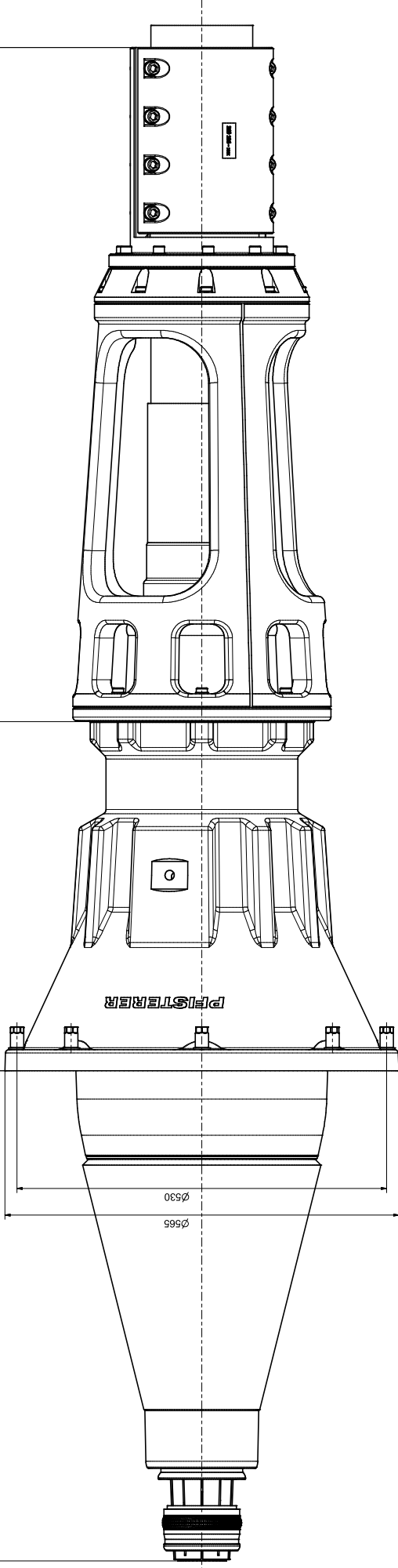


ca. / approx. 2169

ca. / approx. 1466

500



( 1 : 5 )

SCALE	1:3	DESIGN NO.	230000	DATE	2018-05-15
PROJECT	EHV-CONNEX Kabelanschluss Gr. 8, 420 KV	PROJECT NO.	2013-10-27	PROJECT NAME	EHV-CONNEX Separable connector size 8, 420 KV
DRAWN BY	Liephardt	DATE	2018-05-15	PROJECT NO.	2018-05-15
CHECKED BY	...	DATE	...	PROJECT NAME	EHV-CONNEX Separable connector size 8, 420 KV
APPROVED BY	...	DATE	...	PROJECT NO.	2018-05-15
PIFISTER		PIFISTER Industrie- und Handelsbank AG		Kuba 05 8899999A	

The reproduction, distribution and release of this document as well as the communication of its contents to third parties is prohibited. The user is responsible for the correct use of the information contained herein. The user is not allowed to copy, reproduce, distribute or otherwise disseminate the information contained herein. The user is not allowed to use the information contained herein for any purpose other than the one for which it was provided. The user is not allowed to use the information contained herein for any purpose other than the one for which it was provided. The user is not allowed to use the information contained herein for any purpose other than the one for which it was provided.