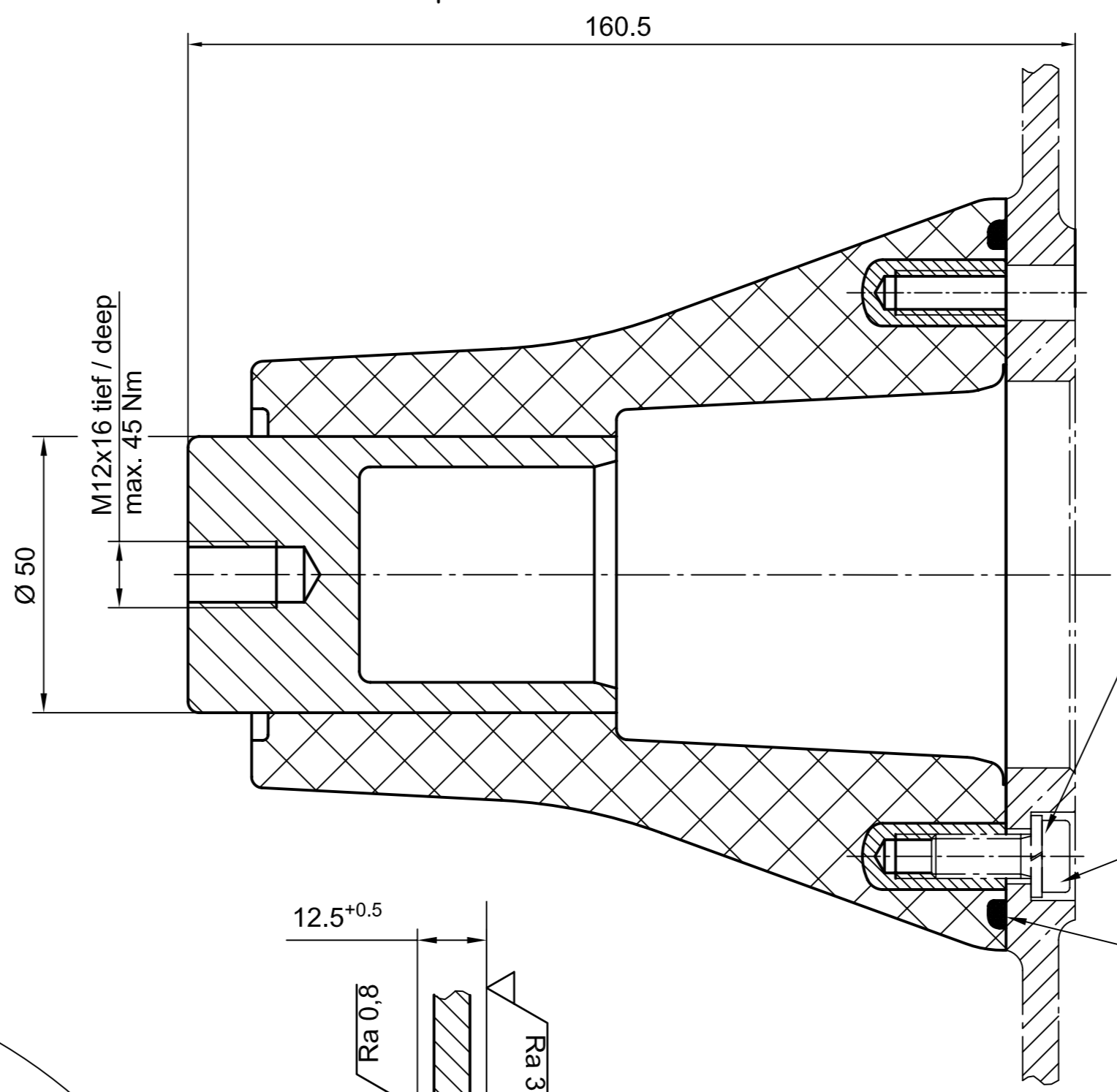
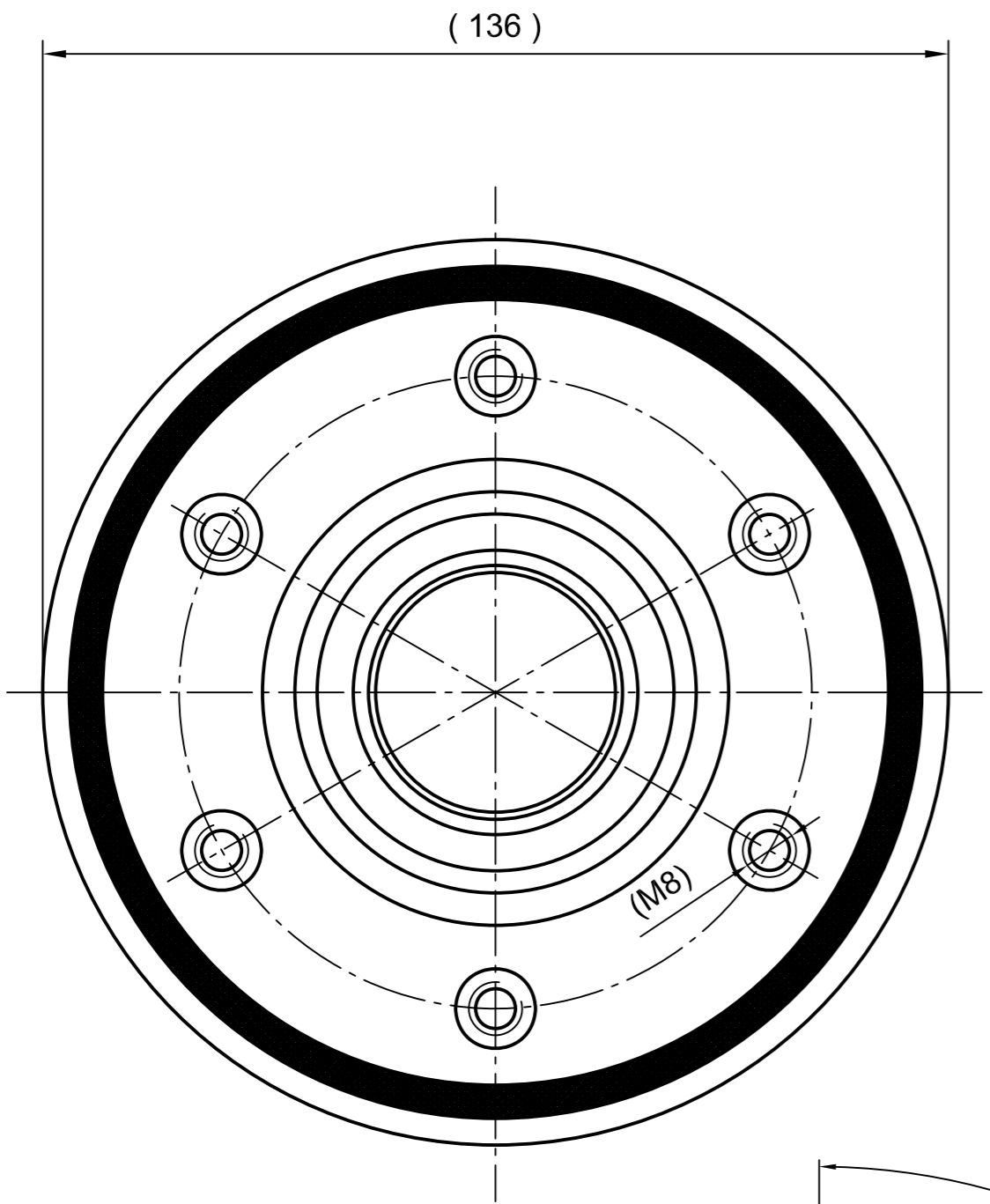
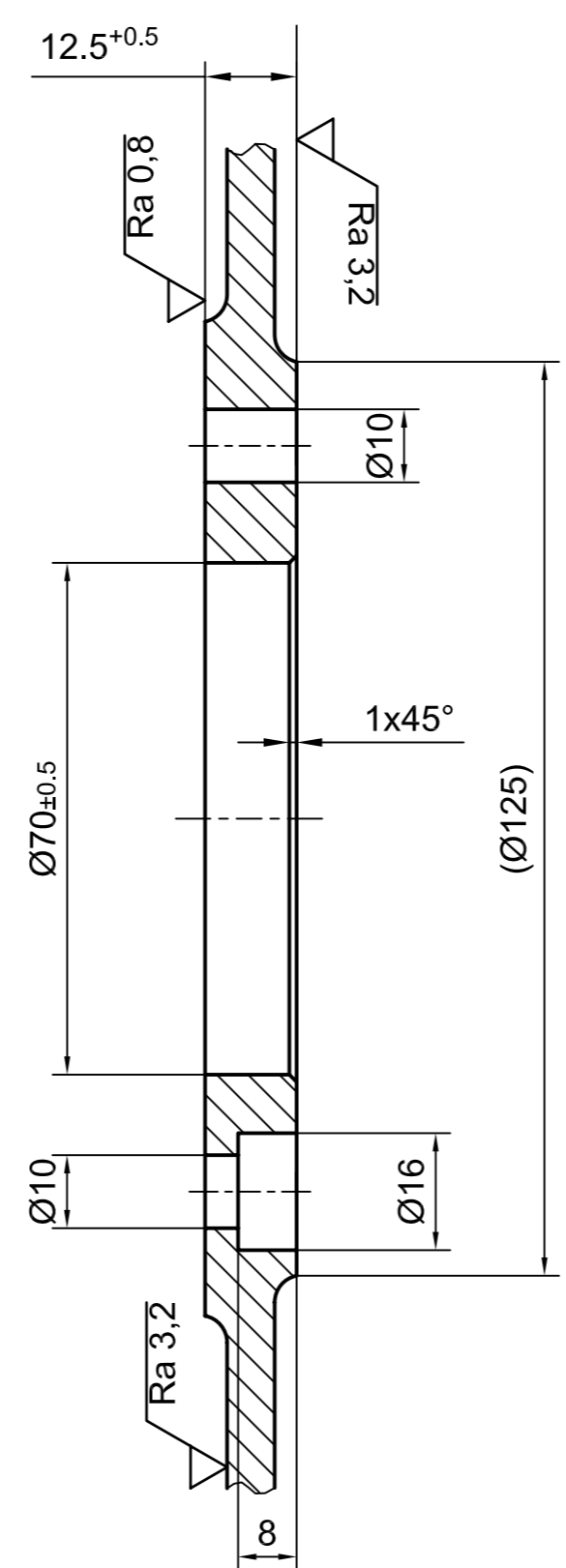
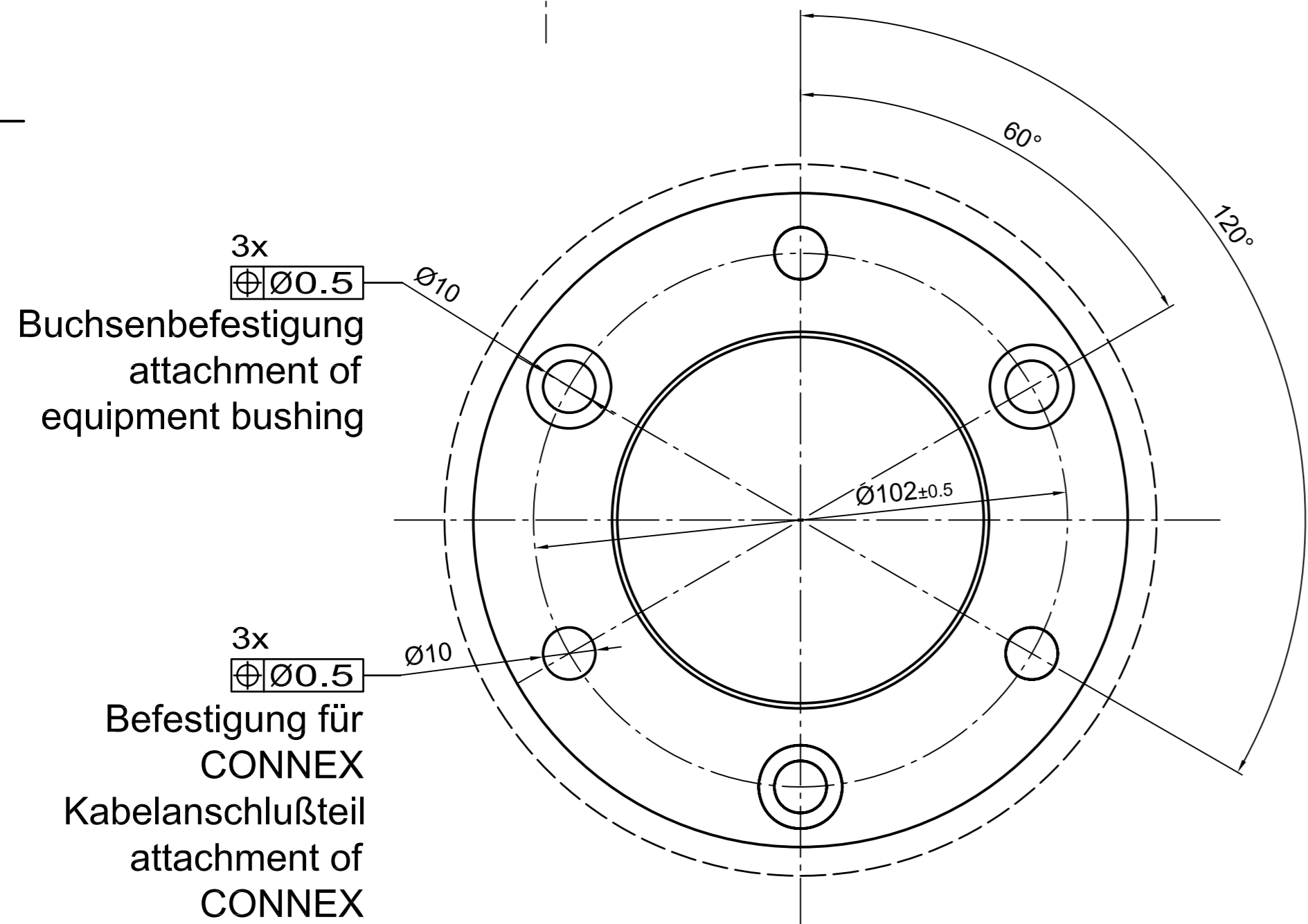


The reproduction, distribution and utilization of this document as well as the communication of its contents to others without explicit authorization is prohibited. Offenders will be held liable for the payment of damages. All rights reserved in the event of the grant of a patent, utility model or design. © Pfisterer



- 1 3 Stück Federring
3 pcs. spring washer
- 1 3 Stck. Zylinderschraube mit Innensechskant M8x20 DIN 7984 wechelseitig mit 15-20Nm anziehen
3 pcs. hexagon socket head cap screw M8x20 DIN 7984 tightening alternately with 15-20Nm
- 1 Dichtring 118x4 DIN 3771
sealing ring



1 inklusiv nur in Variante 205
inclusive only in variants

ohne kapaz. Spannungsabgriff, 110°C / without Voltage Tap, Operating Temp. 110°C		827 104	205
ohne kapaz. Spannungsabgriff, 110°C / without Voltage Tap, Operating Temp. 110°C		827 104	005
Ausführung / type			Stamm-Nr. Var.
Maßstab / scale 1:1	Gewicht ca. / weight ca. (g)		
Erstellt von / created by KUN	Datum / date 1996-10-08	Beschreibung / title CONNEX-Geräteanschlußteil Gr. 2 für Trafo 110°C CONNEX bushing size 2 for transform. 110°C	
Geprüft von / approved by LEH	Datum / date 1996-10-08		
Ersatz für / replacement for Für Kunden		Dokumentart / type of document S02-107636	Format / size A2
Änd.nr. / rev. no. 2011-12-15		Name / name Kuna	Index / rev. 05
Änd. datum / date of issue		Dokumentnr. / document no. 827104A	
PFISTERER Kontaktsysteme GmbH			