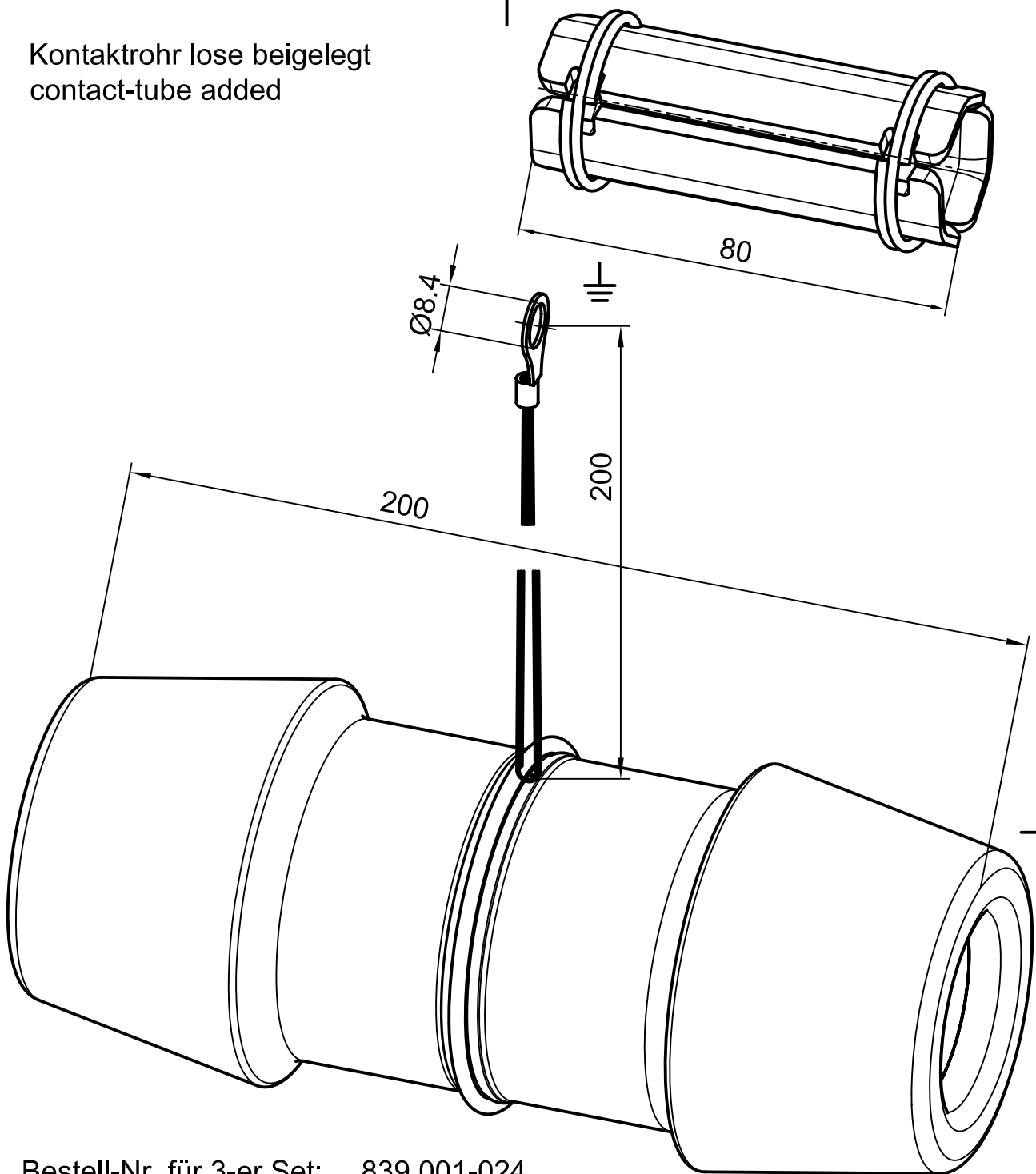


The reproduction, distribution and utilization of this document as well as the communication of its contents to others without explicit authorization is prohibited. Offenders will be held liable for the payment of damages. All rights reserved in the event of the grant of a patent, utility model or design. © Pfisterer

Kontaktrohr lose beigelegt
contact-tube added



Bestell-Nr. für 3-er Set: 839 001-024
Ordering-nr. for 3 pieces: 839 001-024

Gewicht 3-er Set ohne Verpackung: 2.4 kg
weight of 3 pieces without packing: 2.4 kg

Maßstab / scale 1:1		Gewicht ca. / weight ca. (g) 2400		Beschreibung / title 3 Kuppelstecker kpl. für FLINK 24 kV / 630 A											
Erstellt von / created by MAYER		Datum / date 2002-06-20		3 Coupling Connector compl. for FLINK 24 kV / 630 A											
Geprüft von / approved by KUNA		2002-06-22		Ersatz für / replacement for Für Kunden											
PFISTERER Kontaktsysteme GmbH		Änd.nr. / rev. no.		Änd. datum / date of Issue		Name / name		Index / rev.		Dateiname / filename S02-124311		Format / size A4		Blatt / sh. 1/1	
		2008-02-06		Ferenci		02		Dokumentnr. / document no. 839001024A							