

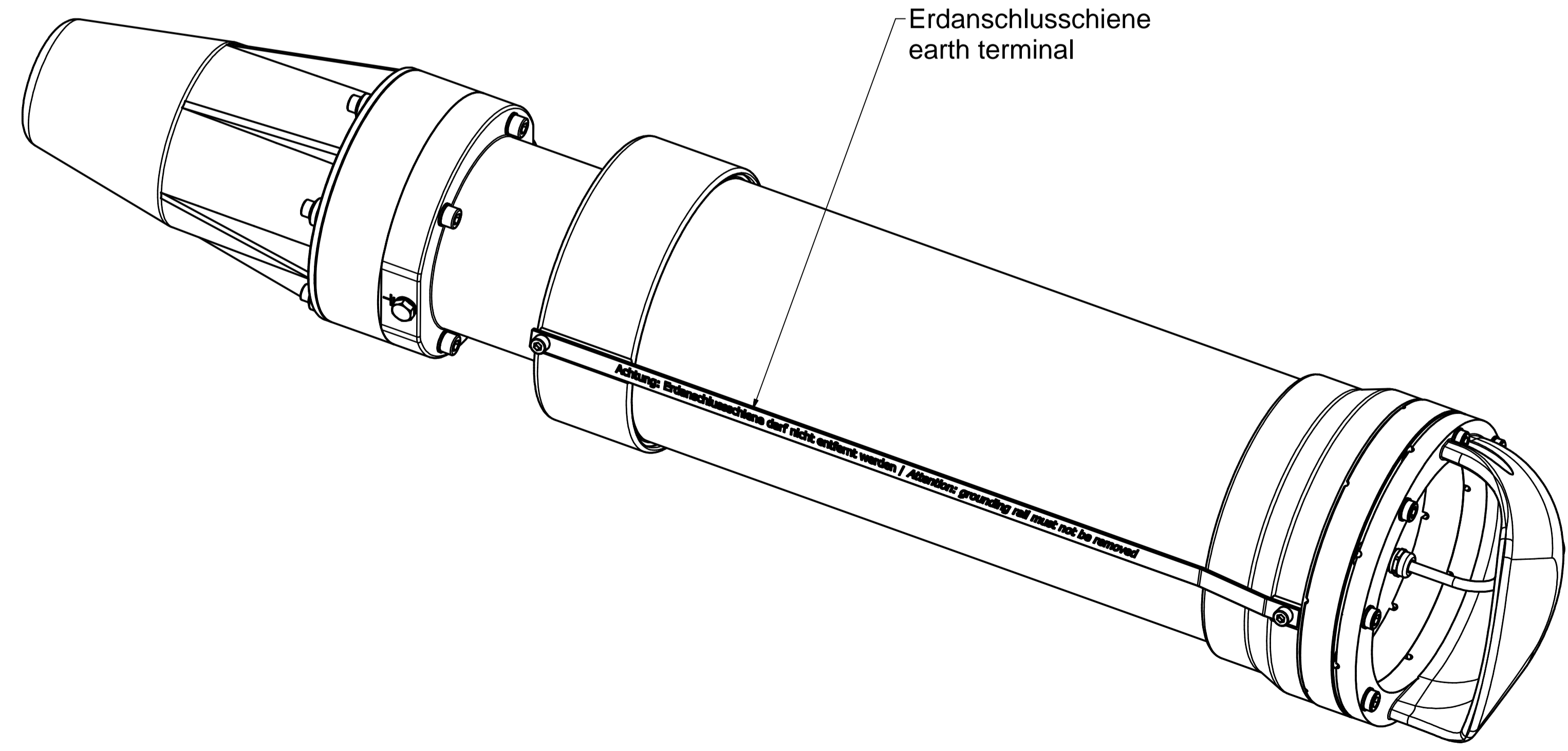
Kontakttring
contact ring

Isolierkörper
insulating body

Flansch
flange

GFK-Rohr kpl.
gfk tube complete

Umlenkhaube
return bonnet



Erdanschlußschiene
earth terminal

Kenndaten:

Bemessungsfrequenz 50 Hz
 Nennableitstoßstrom 10 kA
 Nennkurzschlußstrom 40 kA

characteristics:

rated frequency 50 Hz
 rated discharge current 10 kA
 rated short-circuit current 40 kA

72,5 kV	58,0 kV	193,2 kV	827 541 725
65,0 kV	52,0 kV	173,2 kV	827 541 650
61,3 kV	49,0 kV	163,2 kV	827 541 613
52,5 kV	42,0 kV	139,9 kV	827 541 525
45,0 kV	36,0 kV	119,9 kV	827 541 450
42,5 kV	34,0 kV	113,3 kV	827 541 425
Ur	Uc	Ures	Nr. / no.

Maßstab / scale: 0,60 : 1 (1:3)	Gewicht ca. / weight ca. (g): 40000	Beschreibung / title: CONNEX-Überspannungsableiter, Gr. 4, Trafo-Anwend. IIn=10kA	
Erstellt von / created by: Leonhardt	Datum / date: 2011-02-01	Beschreibung / title: CONNEX-Surge Arrester, Size 4, oil insulated equipm. IIn=10kA	
Geprüft von / approved by: Ferenci	Datum / date: 2011-03-16	Ersetzt für / replacement for: Für Kunden	
PFISTERER		Andr. nr. / rev. no.: 2017-08-07	Dokument / type of document: Kuna
PFISTERER Kontaktsysteme GmbH Germany		Index / no.: 10	Blatt / sheet: 827541A

The reproduction, distribution and utilization of this document as well as the communication of its contents to third parties without the prior written consent of the author is prohibited. All rights reserved in the event of the occurrence of a patent.