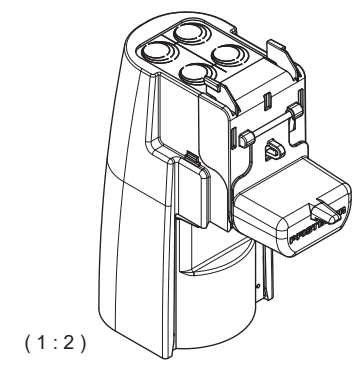
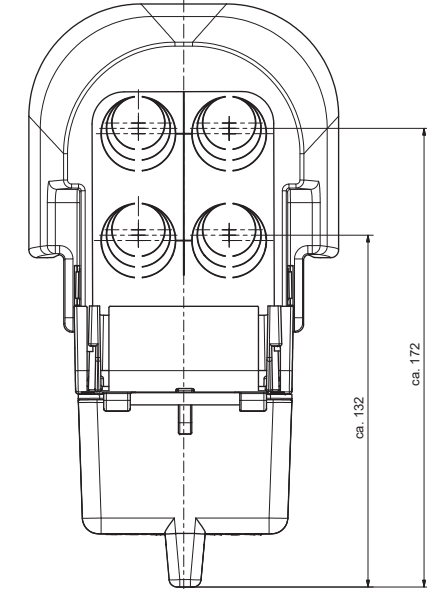
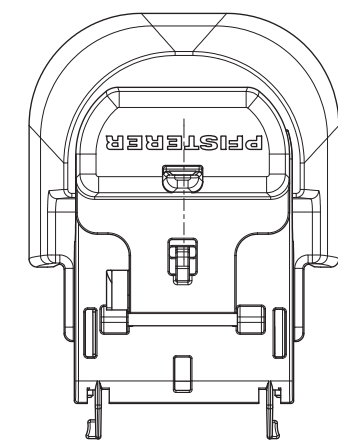
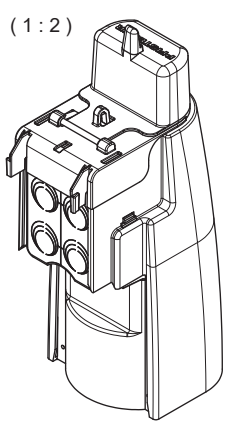


Wanddicke= 2 mm
wall thickness= 2 mm



The reproduction, distribution or use without the written consent of the manufacturer is prohibited. The manufacturer is not liable for any damage or injury caused by the use of the product. The manufacturer is not liable for any damage or injury caused by the use of the product.

Modell / name	Gewicht / weight (ca. kg)	420
Name / name	Datum / date	2013-07-23
Entwickelt von / developed by	Deutinger	2013-07-23
Geprüft von / checked by	Frank	2013-07-24
Pfisterer / Hersteller / manufacturer Pfisterer / Hersteller / manufacturer Pfisterer / Hersteller / manufacturer		
Abdeckung Trafoanschlussklemme 2DIREKT 4 Leiter Blöcken M20-M42 Innenziele, Vertikal+Horizontal,+F-osp. Cover Transformer terminal clamp 2DIREKT 4 core Bolt M20-M42 Indoor, vertical+horizontal ball pin		
Produkt Nr. / product no.	Änderdatum / date of issue	Guatla 03
20210692	2021-04-15	331347005A
PFISTERER Kontaktssysteme GmbH Germany		Zeichnungsnummer / drawing no. S03-14692 F9 A1 1/1